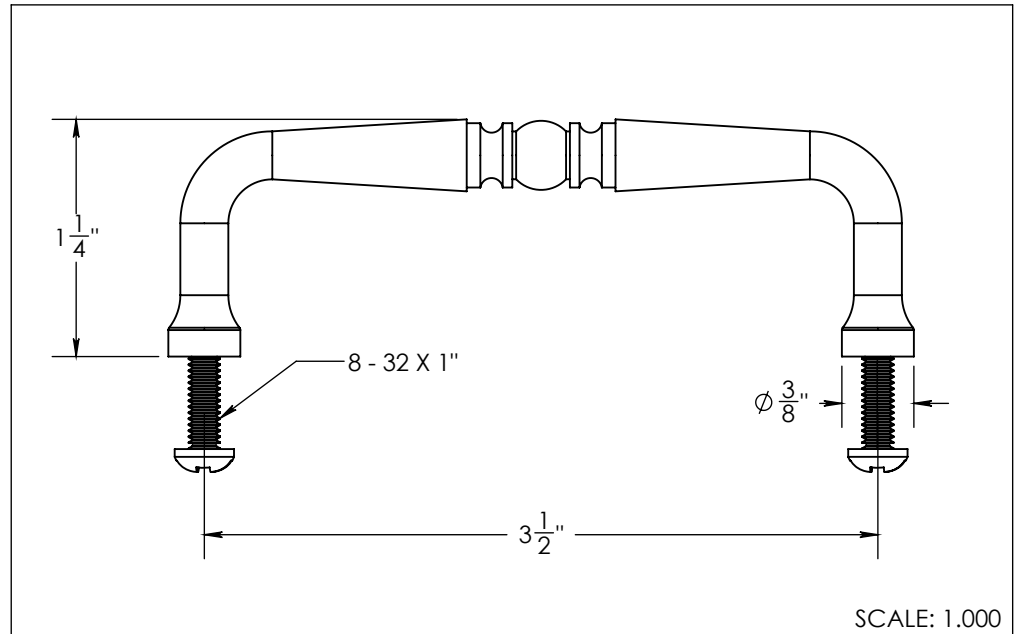
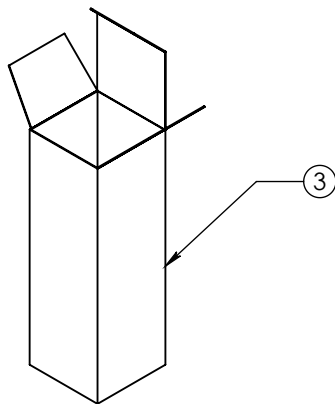
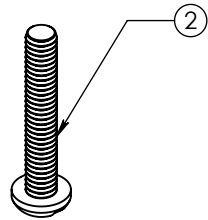
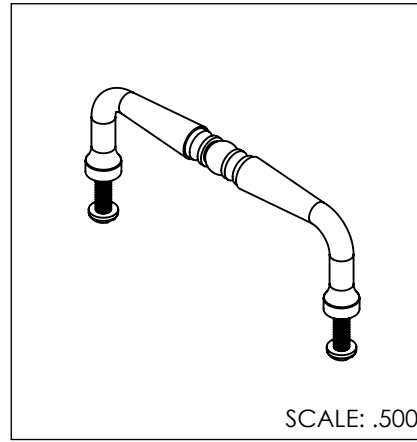
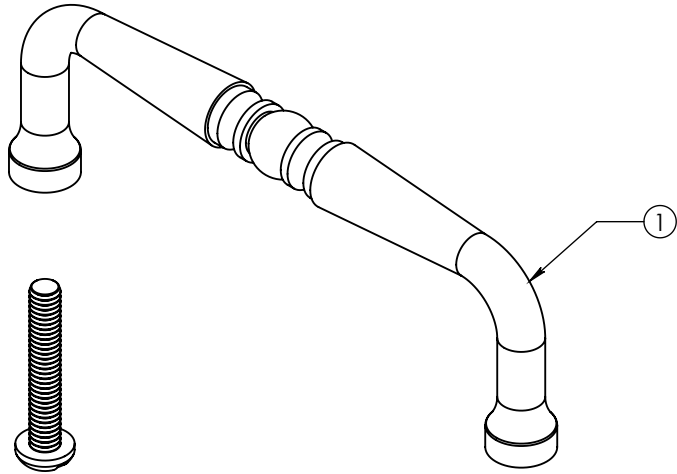


NOTES:
1. XX DENOTES FINISH

BILL OF MATERIALS			
ITEM	PART NO.	DESCRIPTION	QTY.
1	883643-XX	CABINET PULL, 3 - 1/2" TRADITIONAL	1
2	883646-99	SCREW, 8-32 UNC-2A X 1", BRASS PLATED	2
3	33010402	CARTON, KRAFT, 2' X 2" X 6"	1



PROPRIETARY AND CONFIDENTIAL: THE INFORMATION CONTAINED IN THIS DRAWING IS THE SOLE PROPERTY OF CALIFORNIA FAUCETS. ANY REPRODUCTION IN PART OR AS A WHOLE WITHOUT THE WRITTEN PERMISSION OF CALIFORNIA FAUCETS IS STRICTLY PROHIBITED. ALL RIGHTS RESERVED.



REV	REV DESC	DATE	APPR'D
--	RELEASE	07/11/07	JW

CABINET PULL
TRADITIONAL - 3 1/2"

NEXT ASM: --	USED ON: --
DRAWN: C. WULF	07/11/07
APPR'D: J. WOJTASZEK	07/11/07

DWG NO.	9491-XX	REV	--
SCALE: 1.000	SHEET 1	OF 1	