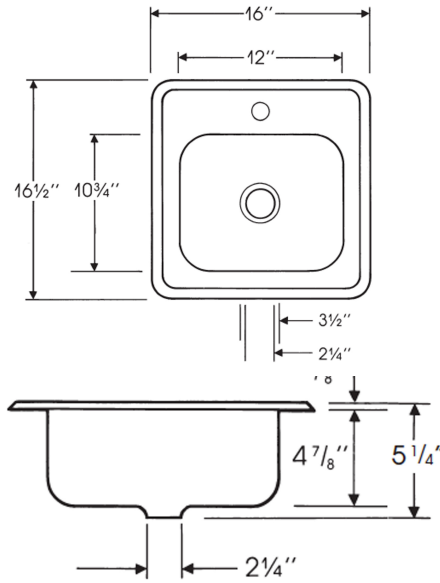


SPECIFICATIONS

**B1012
SCULPTURED METALS**



PRODUCT SHEET



Patterns Available:

- Plain
- Melon
- Garland
- Hammertone

Dimensions:

Inner: 10 3/4" x 12" x 5"
Outside: 16 1/2" x 16" 5 1/4"

Finishes:

- | | |
|-------------------|------------------|
| Antique Brass | Old Nickel |
| Antique Copper | Polished Brass |
| Antique Nickel | Satin Brass |
| Polished Copper | Satin Copper |
| Nickel Silver | Satin Nickel |
| Oil Rubbed Bronze | Weathered Brass |
| Old Brass | Weathered Copper |
| Old Copper | |

OPTIONS

	Yes	No
Self-Rimming		STANDARD
Under Counter		X
Special Rim		X
Euro Edge		X
1 1/4" Drain	X	
1 1/2" w/ Overflow	X	
Drain		
2 1/2" Jr. Basket		STANDARD
Strainer		
Specify Faucet Drilling	X	

IMPORTANT: These basins are hand crafted. We recommend you wait for basin before making your counter-top cut out. All dimensions are approximate.

