

# AXOR<sup>®</sup>

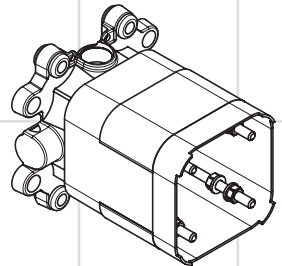
**hansgrohe**

- EN** Installation / User Instructions / Warranty  
**FR** Instructions de montage / Mode d'emploi / Garantie  
**ES** Instrucciones de montaje / Manejo / Garantía

**THIS PRODUCT MUST BE  
INSTALLED IN ACCORDANCE WITH  
THE APPLICABLE INSTALLATION  
CODE BY A PERSON FAMILIAR  
WITH THE CONSTRUCTION AND  
OPERATION OF THE PRODUCT  
AND THE HAZARDS INVOLVED.**

**CE PRODUIT DOIT ÊTRE  
INSTALLÉ CONFORMÉMENT AUX  
DISPOSITIONS APPLICABLES  
CODE D'INSTALLATION PAR  
UNE PERSONNE FAMILIÈRE  
AVEC LA CONSTRUCTION ET LE  
FONCTIONNEMENT DU PRODUIT  
ET LES RISQUES.**

**ESTE PRODUCTO DEBE SER  
INSTALADO DE ACUERDO CON  
EL CÓDIGO DE INSTALACIÓN POR  
UNA PERSONA FAMILIARIZADA  
CON LA CONSTRUCCIÓN Y EL  
FUNCIONAMIENTO DEL PRODUCTO  
Y DE LOS PELIGROS QUE  
ENTRAÑA.**



**Nendo / Front**

26909181

## Installation Considerations

- For best results, Hansgrohe recommends that this unit be installed by a licensed, professional plumber.
- Please read over these instructions thoroughly before beginning installation. Make sure that you have all tools and supplies needed to complete the installation.
- This rough is for use with Nendo Showerhead 26031001 or Front Showerhead 26021001 (not included).
- Showerhead #26031001 includes a low voltage transformer.
- The transformer must be connected to a properly installed and grounded 110 V GFI wall switch. The switch must be installed by a licensed, professional electrician following all applicable local electrical codes.
- The transformer must be installed in the wall in a safe, dry, accessible location. It should be installed in a standard electrical box larger than 2<sup>3</sup>/<sub>8</sub>" diameter (not included).



### **Do not install the transformer inside the 26909181 rough.**

- The transformer includes 7 meters (22.9 feet) of cable to connect the transformer to the light.
- The plastic conduit included with this rough may not be permitted by local code in some areas. In this case, the installer must provide code compliant 3/4" conduit. Hansgrohe is not responsible for the cost of the conduit.
- To prevent scald injury, the maximum output temperature of the shower valve must be no higher than 120°F. In Massachusetts, the maximum output temperature can be no higher than 112° F.
- Keep this booklet and the receipt (or other proof of date and place of purchase) for this product in a safe place. The receipt is required should it be necessary to request warranty parts.

## À prendre en considération pour l'installation

- Pour de meilleurs résultats, Hansgrohe recommande que ce produit soit installé par un plombier professionnel licencié.
- Veuillez lire attentivement ces instructions avant de procéder à l'installation. Assurez-vous de disposer de tous les outils et du matériel nécessaires pour l'installation.
- Cette pièce intérieure requiert un dispositif Nendo 26031001 ou Front 26021001.
- La pomme de douche #26031001 inclut un transformateur de tension basse.
- Le transformateur doit être connecté à un interrupteur mural 110 V correctement installé et mis à la terre. L'interrupteur doit être installé par un électricien professionnel licencié en respectant tous les codes d'électricité locaux en vigueur.
- Le transformateur fourni avec ce pomme de douche doit être installé dans un endroit sécuritaire (minimum de 60 mm le diamètre), sec et facile d'accès.



### **N'installez pas le transformateur dans le boîtier de l'ensemble de base 26909181.**

- Le transformateur est fourni avec 7 mètres (22,9 pieds) de câble pour vous permettre de connecter le transformateur au luminaire.
- Pour empêcher des blessures par ébullition, la température de sortie maximale du robinet de douche ne doit pas excéder 120°F. Au Massachusetts, la température de sortie maximale du robinet de douche ne doit pas excéder 112°F.
- Conservez ce livret et le reçu (ou une autre preuve sur laquelle figurent la date et l'endroit de l'achat) pour ce produit dans un endroit sûr. Le reçu est requis si vous commandez des pièces sous garantie.

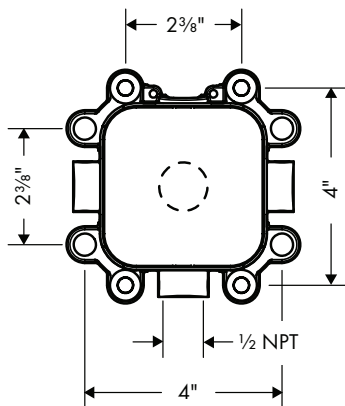
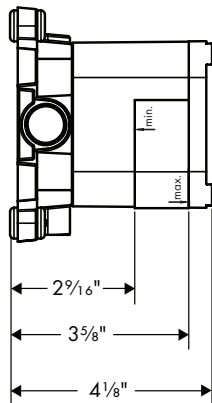
## Consideraciones para la instalación

- Para obtener mejores resultados, la instalación debe estar a cargo de un plomero profesional matriculado.
- Antes de comenzar la instalación, lea estas instrucciones detenidamente. Asegúrese de tener las herramientas y los insumos necesarios para completar la instalación.
- La pieza interior de válvula requiere ducha cabezal Nendo 26031001 o Front 26021001.
- La ducha cabezal № 26031001 incluye un transformador de baja tensión.
- El transformador debe estar conectado a un interruptor de pared de 110 V, debidamente instalado y con descarga a tierra.
- El interruptor debe ser instalado por un electricista profesional matriculado que cumpla con todos los códigos de electricidad locales aplicables.
- El transformador debe instalarse en una ubicación segura (el mínimo de 60 mm diámetro), seca y accesible.

**! No instale el transformador dentro de la caja del juego básico 26909181.**

- El transformador incluye 7 metros (22,9 pies) de cable para conectar el transformador a la luz.
- Para evitar escaldaduras, la máxima temperatura de salida de la válvula de la ducha no debe exceder los 120°F. En Massachusetts, la máxima temperatura de salida de la válvula de la ducha no debe exceder los 112°F.
- Mantenga este folleto y el recibo (u otro comprobante del lugar y fecha de compra) de este producto en lugar seguro. El recibo se requiere en caso de ser necesario solicitar piezas bajo garantía.

## Nendo / Front 26909181



This unit meets or exceeds the following:

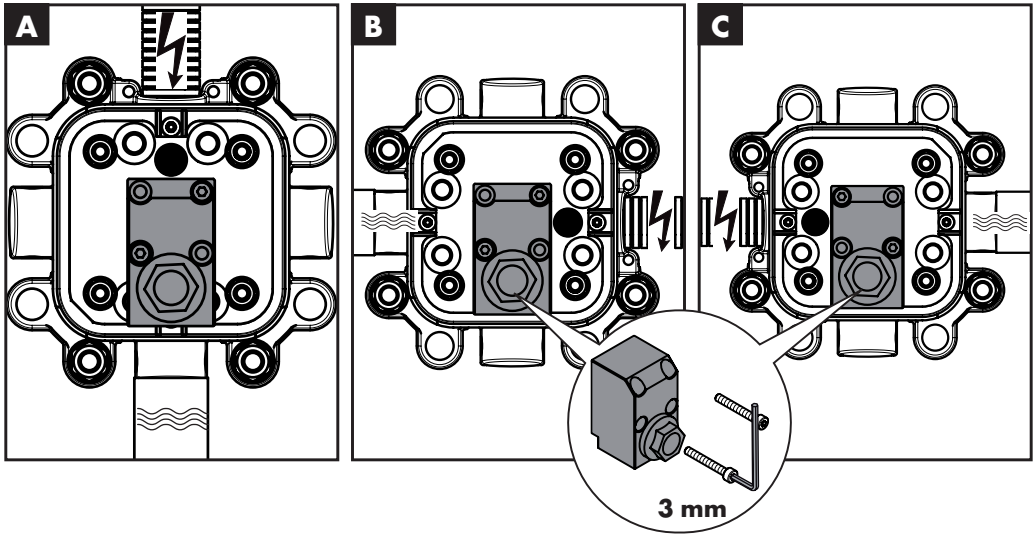
- ASME A112.18.1
- CSA B125.1
- Listed by IAPMO for use in the US and Canada



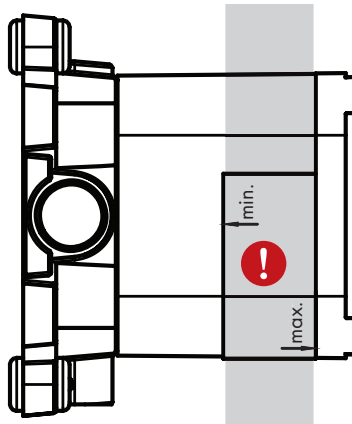
This unit meets or exceeds the following:

- UL 1598, 3rd ed./ CSA C22.2 No. 250.0-08
- UL 8750, 1st ed.
- Listed by IAPMO for use in the US and Canada

## Installation Suggestions / Suggestions d'installation / Sugerencias para la instalación



## Important / Avis / Aviso



**!** The outside surface of the finished wall must fall between the "min" and "max" markings on the plaster shield.

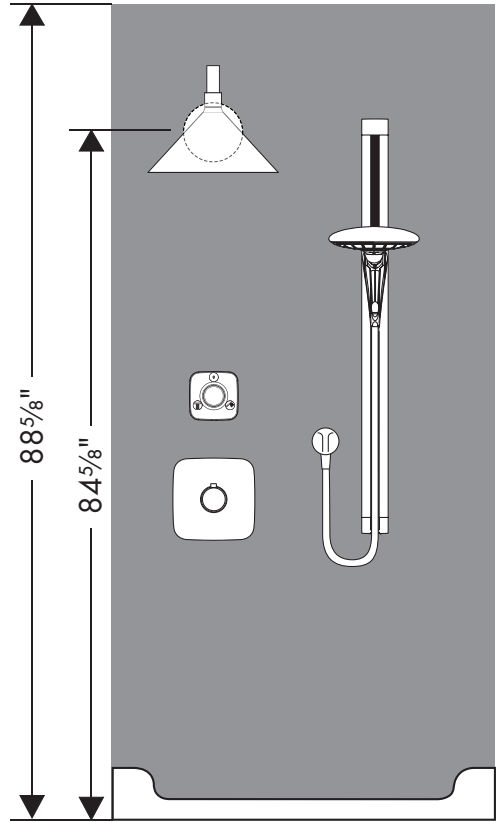
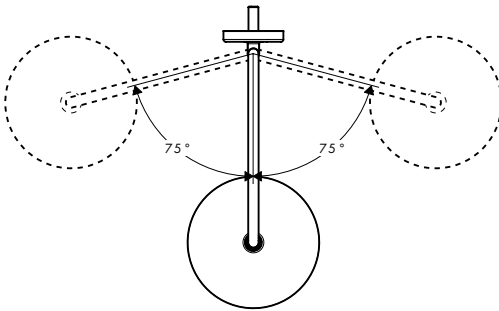
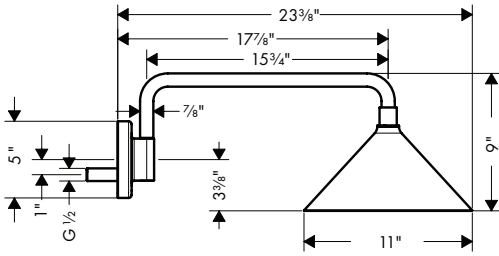
**!** La surface extérieure du mur fini doit se situer entre les marques « min » et « max » figurant sur la coque de protection.

**!** La superficie exterior de la pared terminada debe quedar entre las líneas de "mínimo" y "máximo" del protector de yeso.

**26021001 - Installation Suggestion / Suggestion d'installation / Sugerencia para la instalación**

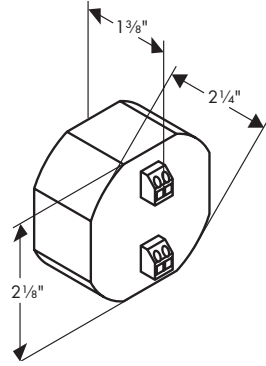
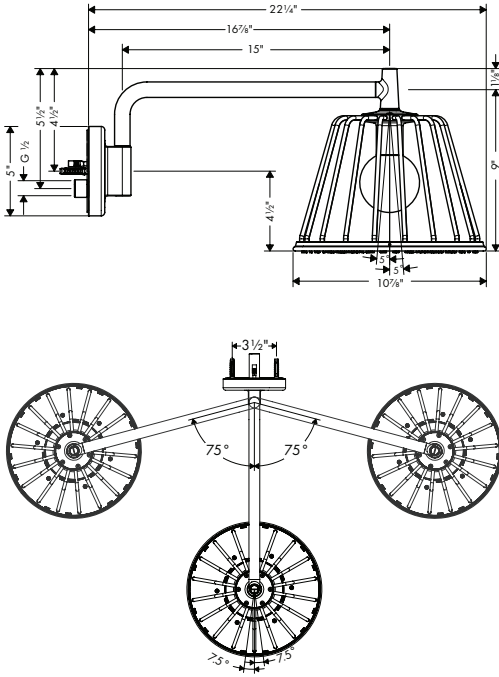
**Front**

26021001



## Nendo

26031001

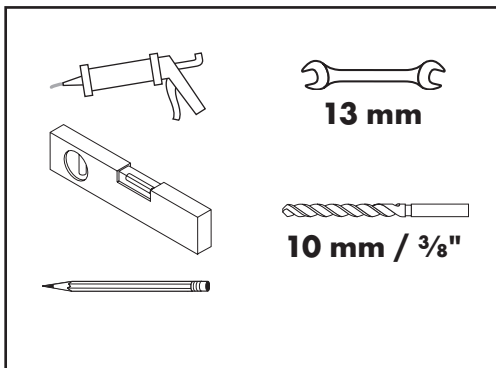


Transformer - included with 26031001

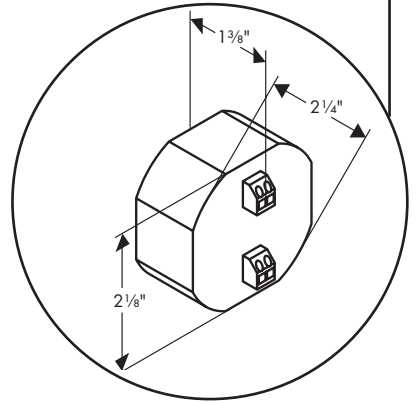
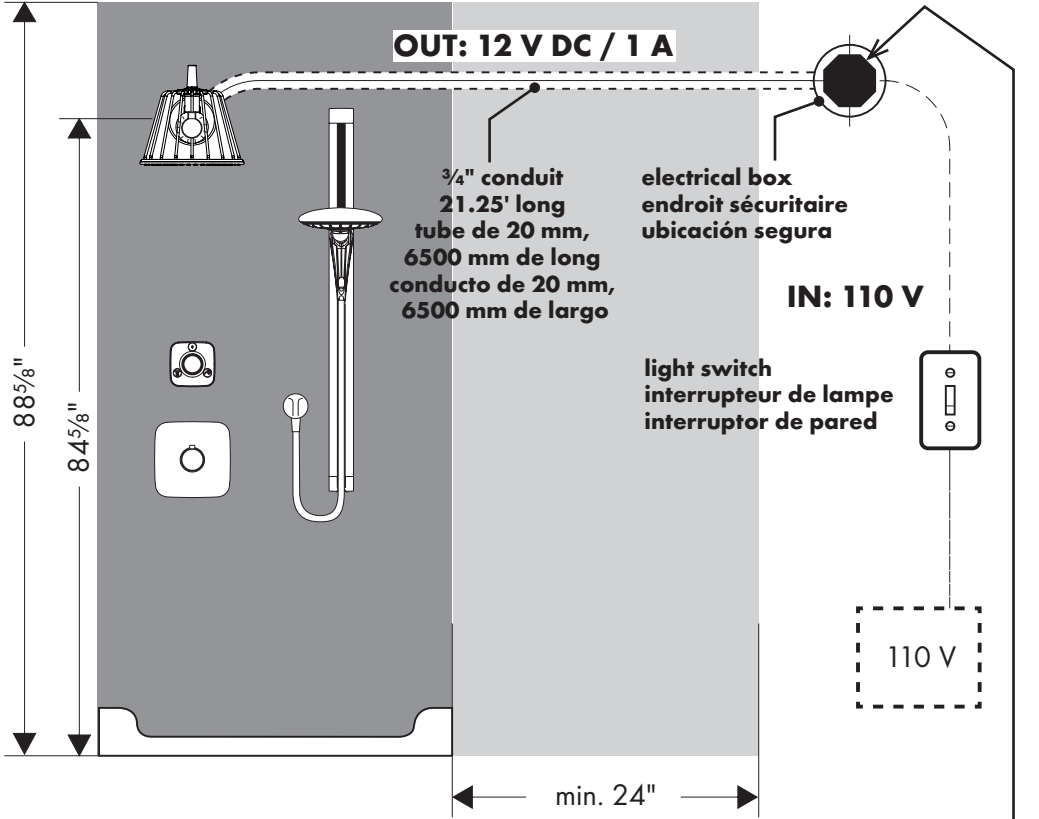
L'adaptateur est inclus avec 26031001

El transformador está incluido con 26031001

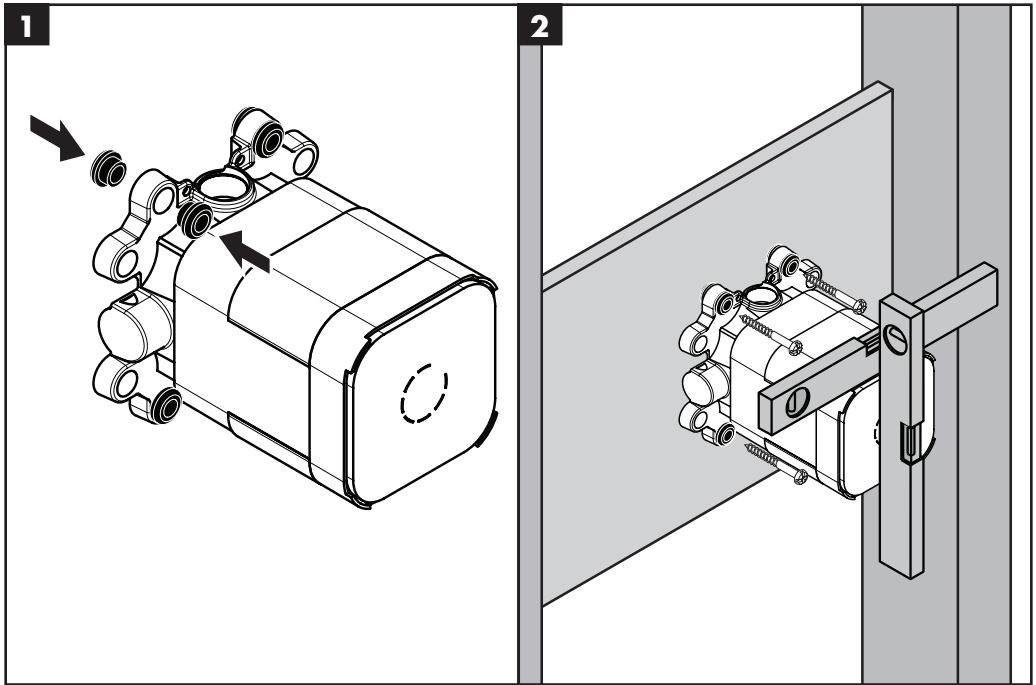
## Tools Required / Outils Utiles / Herramientas Útiles



**26031001 - Installation Suggestion / Suggestion d'installation / Sugerencia para la instalación**



# Stud Wall Installation / Installation sur cloison lattée et plâtrée / Instalación empotrada



## English

Install the noise reducers on the rough.

Hold the rough against the stringer at the desired mounting height.

Make sure that it is level.

Screw the rough to the stringer.  
(Screws not included)

## Français

Installez le réducteur de bruit sur la boîte d'encastrement.

Placez la boîte d'encastrement contre la traverse à la hauteur de montage désirée.

Assurez-vous qu'elle est de niveau.

Vissez la boîte d'encastrement sur la traverse. (Vis non incluses)

## Español

Instale los reductores de ruido en la pieza interior.

Apoye la pieza interior contra la placa trasera a la altura de montaje deseada.

Asegúrese de que esté nivelado.

Atornille la pieza interior a la placa trasera. (No se incluyen los tornillos)

➔ **3** page 11

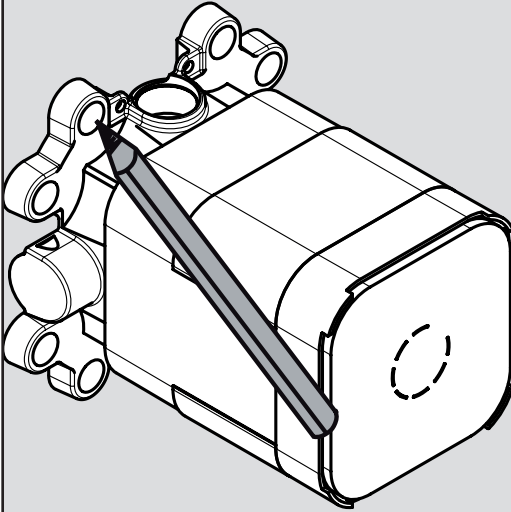
➔ **3** page 11

➔ **3** Página 11

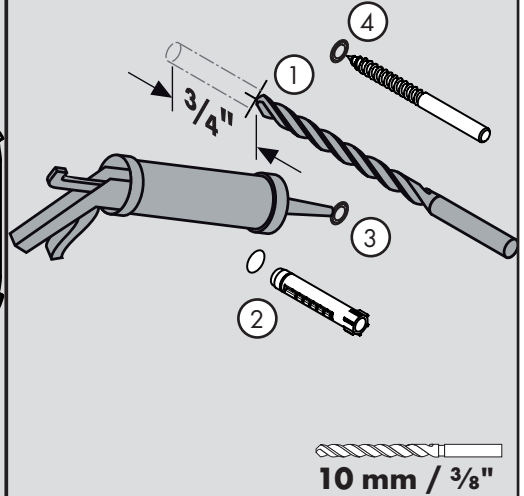


# Cement Wall Installation / Installation sur mur en ciment / Instalación en pared de cemento

1a



1b



## English

Hold the rough against the wall at the desired mounting height.

Make sure that it is level.

Mark the locations of the screw holes.

Drill the screw holes

Install the anchors.

Seal the wall around the anchors using waterproof sealant.

Install the studs.

## Français

Placez la boîte d'encastrement contre le mur à la hauteur de montage désirée.

Assurez-vous qu'elle est de niveau.

Marquez les positions des trous de vis.

Percez les trous de vis.

Installez les chevilles.

Scellez le mur autour des chevilles à l'aide d'un produit de scellement.

Installez les goujons.

## Español

Apoye la pieza interior contra la pared a la altura de montaje deseada.

Asegúrese de que esté nivelado.

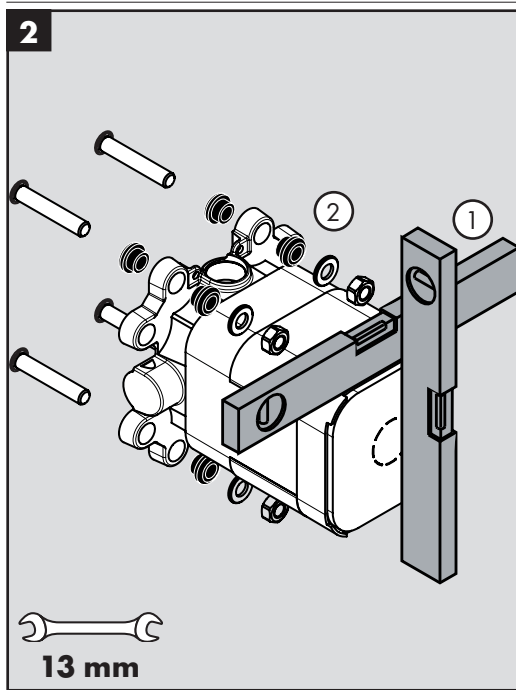
Marque las posiciones de los orificios para tornillos.

Perfore los orificios para los tornillos.

Instale los pernos de anclaje.

Selle la pared alrededor de los pernos de anclaje con un sellador impermeable.

Instale los espárragos.



### English

Install the noise reducers on the rough.

Install the rough on the studs using the nuts and washers.

### Français

Installez le réducteur de bruit sur la boîte d'encastrement.

Installez la boîte d'encastrement.

### Español

Instale los reductores de ruido en la pieza interior.

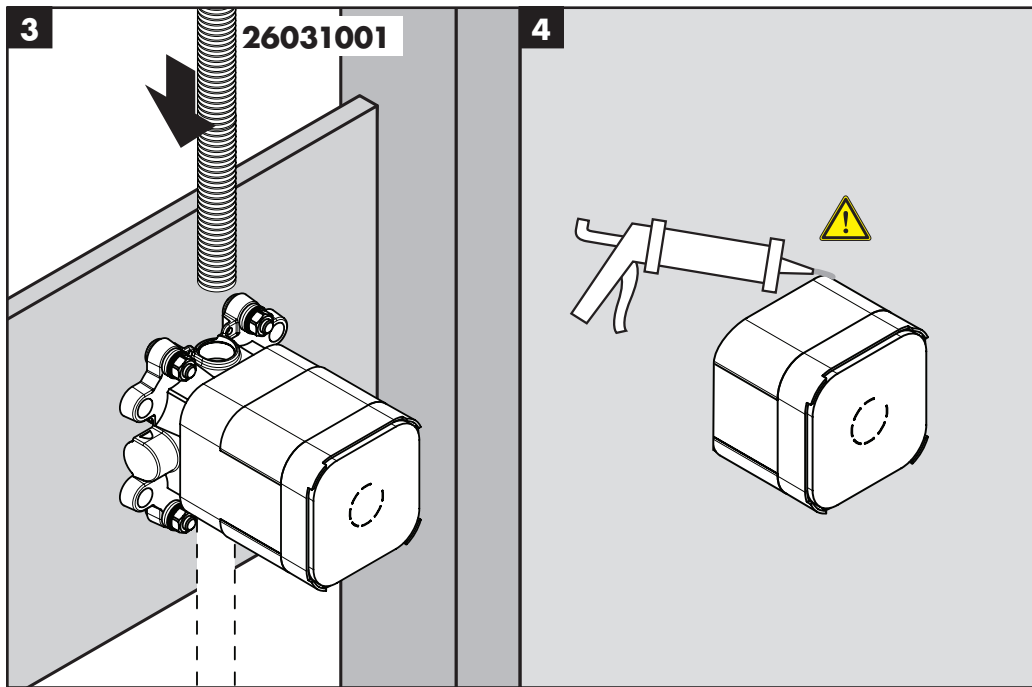
Instale la pieza interior.

**3** page 11

**3** page 11

**3** Página 11

## All Installations



### English

**#26031001 only:** Connect the electrical conduit to the rough.

**All models:** Install the incoming mixed water line.

Install the greenboard or sheet rock.



**Seal the sheet rock around the valve using waterproof sealant.**



**Failure to seal the wall may lead to water damage.**

### Français

**#26031001 seulement:** Connectez le tube protecteur électrique à la boîte d'encastrement.

**Tous les modèles:** Installez la conduite d'eau mitigée entrante.

Installez la plaque de plâtre (standard ou hydrofugée).



**Scellez la plaque de plâtre autour de la valve à l'aide d'un produit de scellement.**



**Si le mur n'est pas scellé, l'eau pourrait causer des dommages.**

### Español

**Nº 26031001 solamente:** Conecte el conducto eléctrico a la pieza interior.

**Todos los modelos:** Instale la tubería de agua mezclada de entrada.

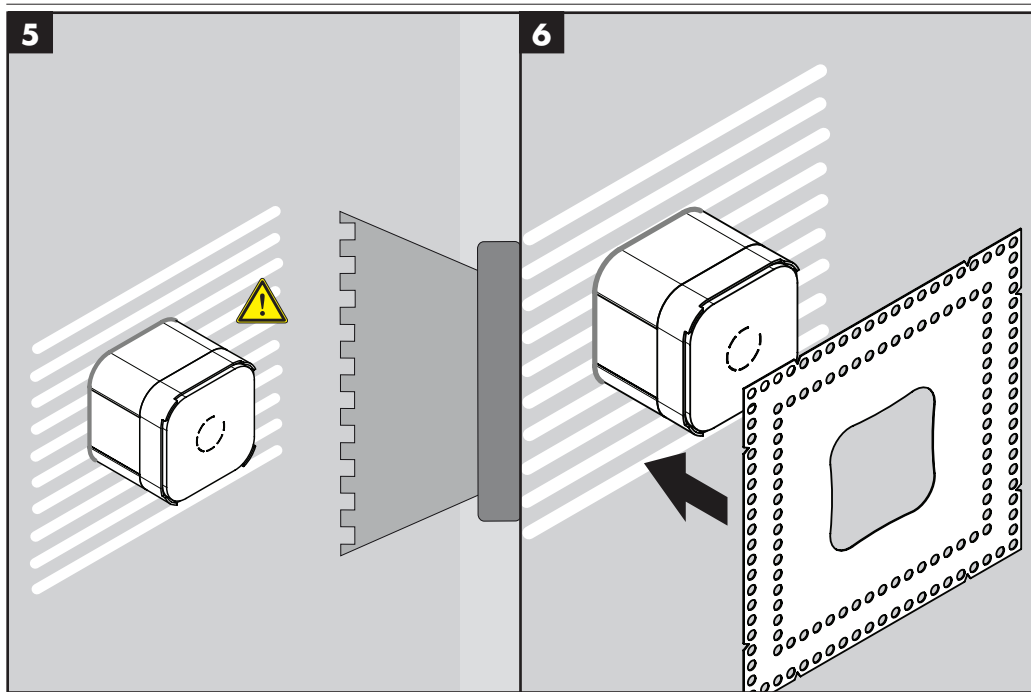
Instale el greenboard o la placa de yeso.



**Selle la placa de yeso alrededor de la válvula con un sellador impermeable.**



**Si no se sella la pared, pueden producirse daños por acción del agua.**



## English

Spread adhesive on the sheet rock.



**Do not use hot glue.**

Install the gasket.

## Français

Étalez de l'adhésif sur la plaque de plâtre.



**N'utilisez pas de colle thermofusible.**

Installez le joint.

## Español

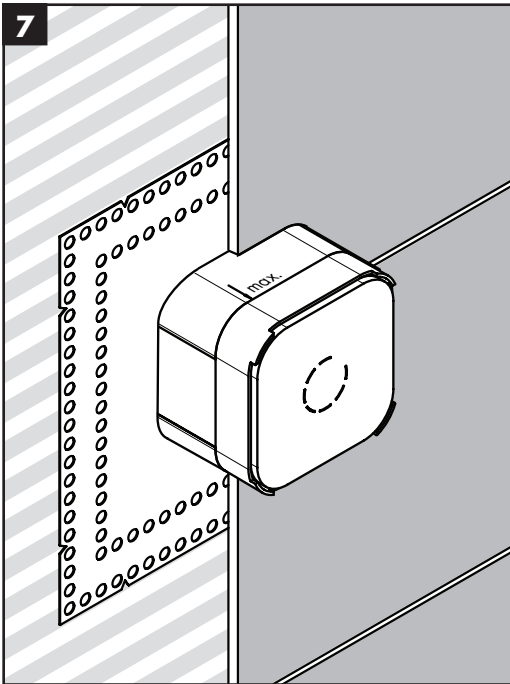
Distribuya adhesivo sobre la placa de yeso.



**No use cola caliente.**

Instale la junta.

7



## English

Install the finished wall surface over the gasket.

**Important:** The outside surface of the finished wall must fall between the "min" and "max" markings on the plaster shield.

## Français

Installez la surface de mur fini par-dessus le joint.

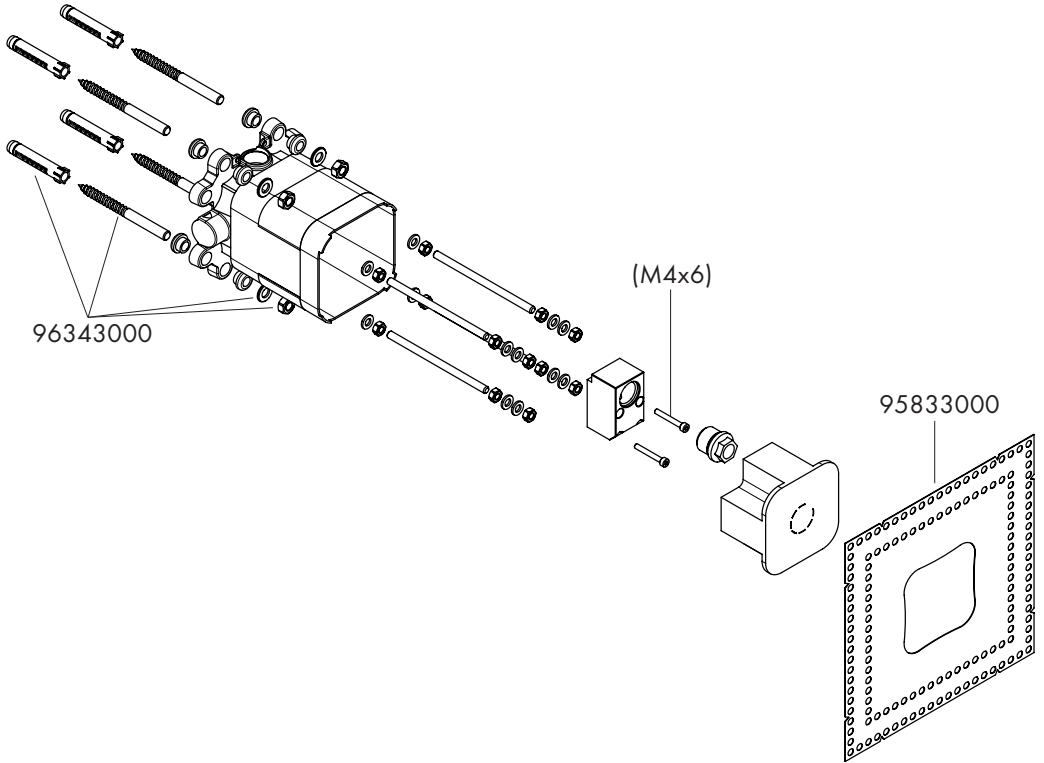
**Important :** La surface extérieure du mur fini doit se situer entre les marques « min » et « max » figurant sur la coque de protection.

## Español

Instale la superficie de la pared terminada sobre la junta.

**Importante:** La superficie exterior de la pared terminada debe quedar entre las líneas de "mínimo" y "máximo" del protector de yeso.

# Replacement Parts / Pièces détachées / Repuestos



# Limited Consumer Warranty

---

This product has been manufactured and tested to the highest quality standards by Hansgrohe, Inc. ("Hansgrohe"). This warranty is limited to Hansgrohe products that are purchased by a consumer in the United States or Canada after March 1, 1996, and installed in either the United States or in Canada.

## WHO IS COVERED BY THE WARRANTY

This warranty extends to the original purchaser only. This warranty is non-transferable.

## WHAT IS COVERED BY THE WARRANTY

The warranty covers only your Hansgrohe manufactured product. Hansgrohe warrants this product against defects in material or workmanship as follows:

Hansgrohe will replace at no charge for parts only or, at its option, replace any product or part of the product that proves defective because of improper workmanship and/or material, under normal installation, use, service and maintenance. If Hansgrohe is unable to provide a replacement and repair is not practical or cannot be made in timely fashion, Hansgrohe may elect to refund the purchase price in exchange for the return of the product.

## LENGTH OF WARRANTY

Replacement or repaired parts of products will be covered for the term of this warranty, as stated in the following two sentences. If you are a consumer who purchased the product for use primarily for personal, family or household purposes, this warranty extends for as long as you own the product and the home in which the product is originally installed. If you purchased the product for use primarily for any other purpose, including, without limitation, a commercial purpose, this warranty extends only (i) for 1 year, with respect to Hansgrohe & Commercial products, and (ii) for 5 years, with respect to Axor products.

## THIS WARRANTY DOES NOT COVER, AND HANSGROHE WILL NOT PAY FOR:

- A. Conditions, malfunctions or damage not resulting from defects in material or workmanship.
- B. Conditions, malfunctions or damage resulting from
  - (1) normal wear and tear, improper installation, improper maintenance, misuse, abuse, negligence, accident or alteration;
  - (2) the use of abrasive or caustic cleaning agents or "no-rinse" cleaning products, or the use of the product in any manner contrary to the product instructions; or
  - (3) conditions in the home such as excessive water pressure or corrosion.
- C. Labor and other expenses for disconnection, deinstallation, or return of the product for warranty service (including but not limited to proper packaging and shipping costs), or for installation or reinstallation of the product.
- D. Accessories, connected materials and products, or related products not manufactured by Hansgrohe.
- E. Any Hansgrohe or Axor product sold for display purposes.
- F. Hansgrohe Water Filtration System is subject to a 1-year limited warranty. Warranty does not include replacement filters.

## TO OBTAIN WARRANTY PARTS OR INFORMATION

Contact your Hansgrohe retailer, or contact Technical Service at:

Hansgrohe, Inc.  
1492 Bluegrass Lakes Parkway  
Alpharetta, GA 30004  
Toll-free 800-334-0455

In requesting warranty service, you will need to provide:

- 1. The sales receipt or other evidence of the date and place of purchase.
- 2. A description of the problem.
- 3. Delivery of the product or the defective part, postage prepaid and carefully packed and insured, to:

Hansgrohe, Inc.  
1492 Bluegrass Lakes Parkway  
Alpharetta, GA 30004  
Toll-free 800-334-0455

When warranty service is completed, any repaired or replacement product or part will be returned to you postage prepaid.

# Exclusions and Limitations

**REPAIR OR REPLACEMENT (OR, IN LIMITED CIRCUMSTANCES, REFUND OF THE PURCHASE PRICE) AS PROVIDED UNDER THIS WARRANTY IS THE EXCLUSIVE REMEDY OF THE PURCHASER. HANSGROHE NEITHER ASSUMES NOR AUTHORIZES ANY PERSON TO CREATE FOR IT ANY OTHER OBLIGATION OR LIABILITY IN CONNECTION WITH THIS PRODUCT.**

---

**HANSGROHE SHALL NOT BE LIABLE TO PURCHASER OR ANY OTHER PERSON FOR ANY INCIDENTAL, SPECIAL OR CONSEQUENTIAL DAMAGES, ARISING OUT OF BREACH OF THIS WARRANTY OR ANY IMPLIED WARRANTY (INCLUDING BUT NOT LIMITED TO ANY IMPLIED WARRANTY OF MERCHANTABILITY).**

Some States do not allow the exclusion or limitation of incidental or consequential damages, so the above limitation or exclusion may not apply to you. This warranty gives you specific legal rights, and you may also have other rights that vary from state to state.

**TO THE EXTENT PERMITTED BY LAW, ANY IMPLIED WARRANTIES OF MERCHANTABILITY AND FITNESS FOR A PARTICULAR PURPOSE, ARE LIMITED TO THE DURATION OF THE EXPRESS WARRANTY.**

Some states do not allow limitations on how long an implied warranty may last, so the above limitations may not apply to you.

You may be required by law to give us a reasonable opportunity to correct or cure any failure to comply before you can bring any action in court against us under the Magnuson-Moss Warranty Act.

**PRODUCT INSTRUCTIONS AND QUESTIONS**

Upon purchase or prior to installation, please carefully inspect your Hansgrohe product for any damage or visible defect. Prior to installing, always carefully study the enclosed instructions on the proper installation and the care and maintenance of this product. If you have questions at any time about the use, installation or performance of your Hansgrohe product, or this warranty, please write us or call us toll-free at 800-334-0455.

**hansgrohe**

Hansgrohe, Inc. • 1490 Bluegrass Lakes Parkway • Alpharetta, GA 30004  
Tel. 800-334-0455 • Fax 770-360-9887

[www.hansgrohe-usa.com](http://www.hansgrohe-usa.com)