

BRIZO®

WALL MOUNT BRACKET

STANDARD SPECIFICATIONS:

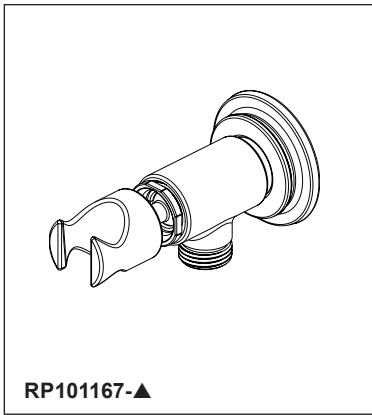
- Wall mount bracket with integrated elbow included

WARRANTY

- Parts and Finish – Lifetime limited warranty; or for commercial purchasers, 10 years for multi-family residential (apartments and condominiums) and 5 years for all other commercial uses, in each case from the date of purchase.
- Electronic Parts and Batteries (if applicable) – 5 years from the date of purchase; or for commercial purchasers, 1 year from the date of purchase. No warranty is provided on batteries. No warranty is provided on batteries.

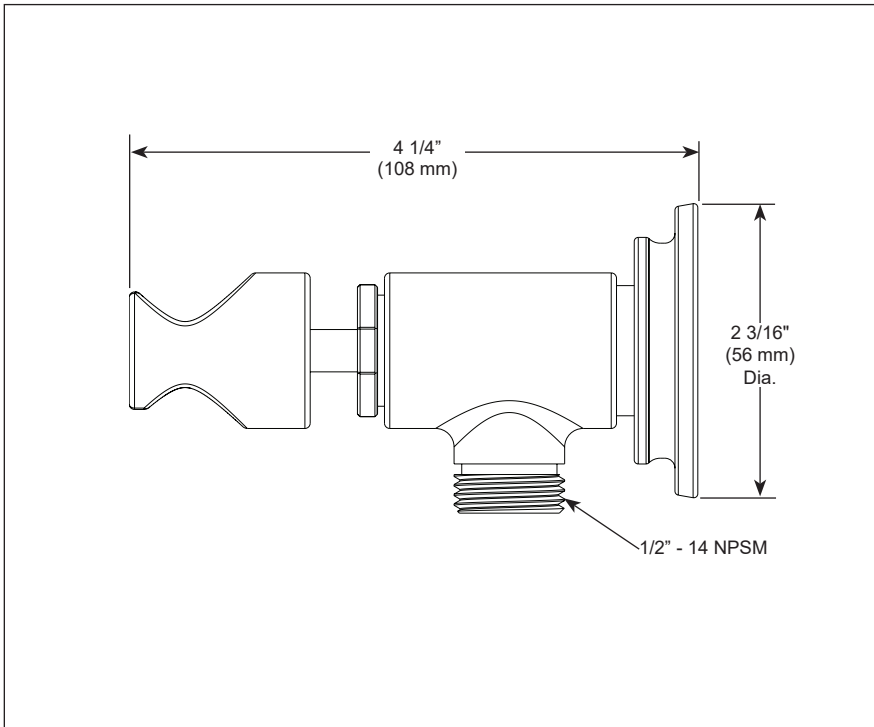
COMPLIES WITH:

- ASME A112.18.1 / CSA B125.1



Submitted Model No.: _____

Specific Features: _____



▲ Designate finish suffix