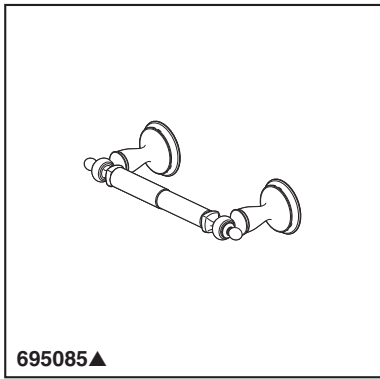


# BRIZO®

## ACCESSORIES

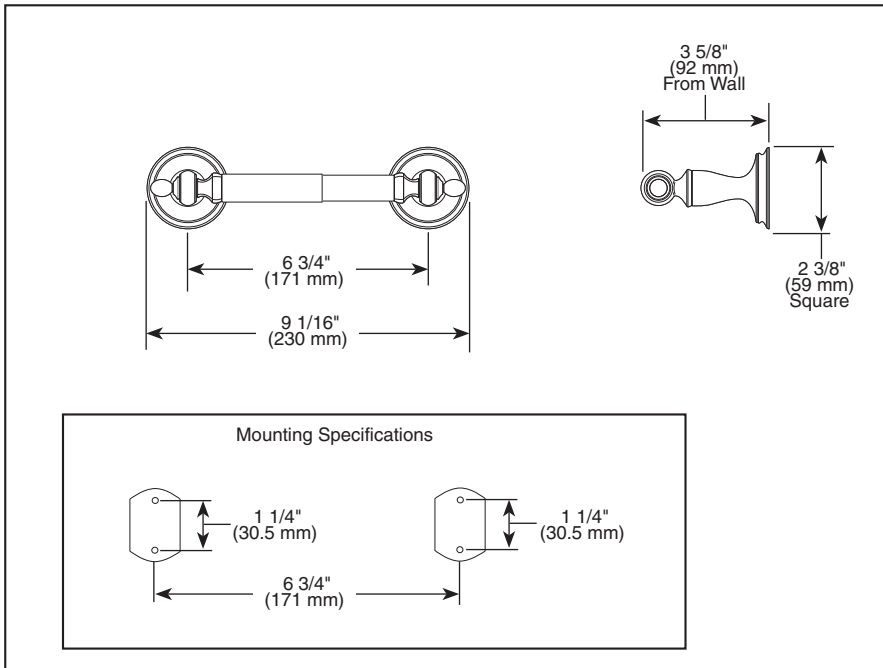
- Charlotte™ Bath Collection
- Tissue Holder



695085▲

Submitted Model No.: \_\_\_\_\_

Specific Features: \_\_\_\_\_



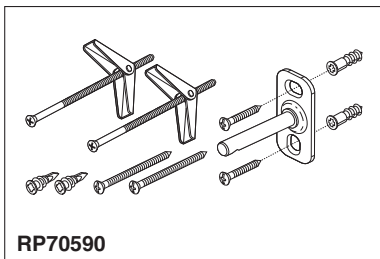
### STANDARD SPECIFICATIONS:

- Wood blocking is preferable behind all wall surfaces. If wood blocking is not available, try finding a wood stud to anchor at least one end of this accessory.
- Mounting hardware and mounting instructions included with product.
- Note: Plastic anchors, screws, toggle bolts, and mounting brackets are included with the mounting hardware.

### WARRANTY

- Lifetime limited warranty on parts (other than electronic parts and batteries) and finishes: or, for commercial users, for 5 years from date of purchase.
- 5 year limited warranty on electronic parts (other than batteries); or, for commercial users, for 1 year from the date of purchase. No warranty is provided on batteries.

▲ Designate proper finish suffix



RP70590

Note: RP includes parts for 2 sides

Delta reserves the right (1) to make changes in specifications and materials, and (2) to change or discontinue models, both without notice or obligation. Dimensions are for reference only. See current full-line price book or [www.brizo.com](http://www.brizo.com) for finish options and product availability.

BSP-A-695085 Rev. D

Delta Faucet Company  
 Indianapolis, Indiana 46280  
 A Division of Masco Corporation of Indiana  
 © 2014 Masco Corporation of Indiana