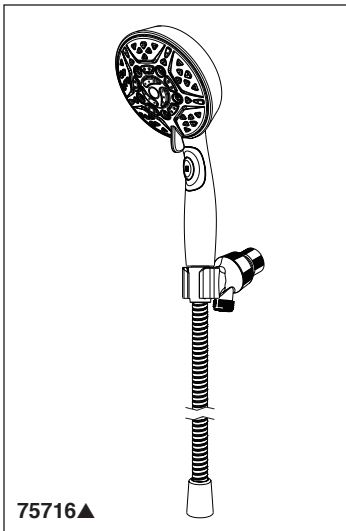




# HANDSHOWER

- H2Okinetic Technology® Handshower
- 7-Spray Setting Handshower
- Touch-Clean® Nozzles

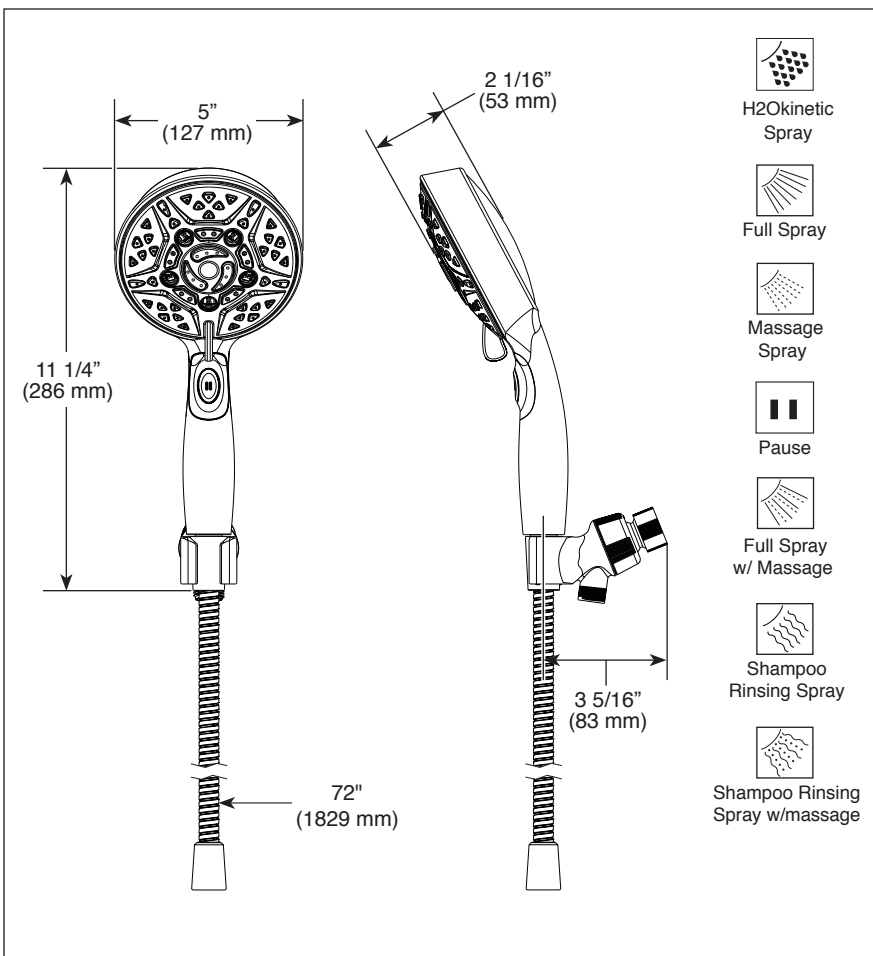


## STANDARD SPECIFICATIONS:

- Max. 1.75 gpm @ 80 psi, 6.6 L/min @ 550 kPa.
- Hand held shower with seven spray settings - not a positive shut-off.
- 72" metal hose.
- Adjustable shower arm mounting for hands-free showering.
- Change spray modes with easy turn dial.
- Pause flow by pressing the button on the handle.

Submitted Model No.: \_\_\_\_\_

Specific Features: \_\_\_\_\_



## WARRANTY

- Lifetime limited warranty on parts (other than electronic parts and batteries) and finishes; or, for commercial users, for 5 years from the date of purchase.
- 5 year limited warranty on electronic parts (other than batteries); or for commercial users, for 1 year from the date of purchase. No warranty is provided on batteries.



## COMPLIES WITH:

- ASME A112.18.1 / CSA B125.1
- EPA WaterSense®

▲ Designate proper finish suffix



55 E. 111th Street, Indianapolis, Indiana 46280  
 350 South Edgeware Road, St. Thomas, Ontario Canada N5P 4L1  
 © 2016 Masco Corporation of Indiana

Delta reserves the right (1) to make changes in specifications and materials, and (2) to change or discontinue models, both without notice or obligation. Dimensions are for reference only. See current full-line price book or [www.deltafaucet.com](http://www.deltafaucet.com) for finish options and product availability.

DSP-B-75716 Rev. A