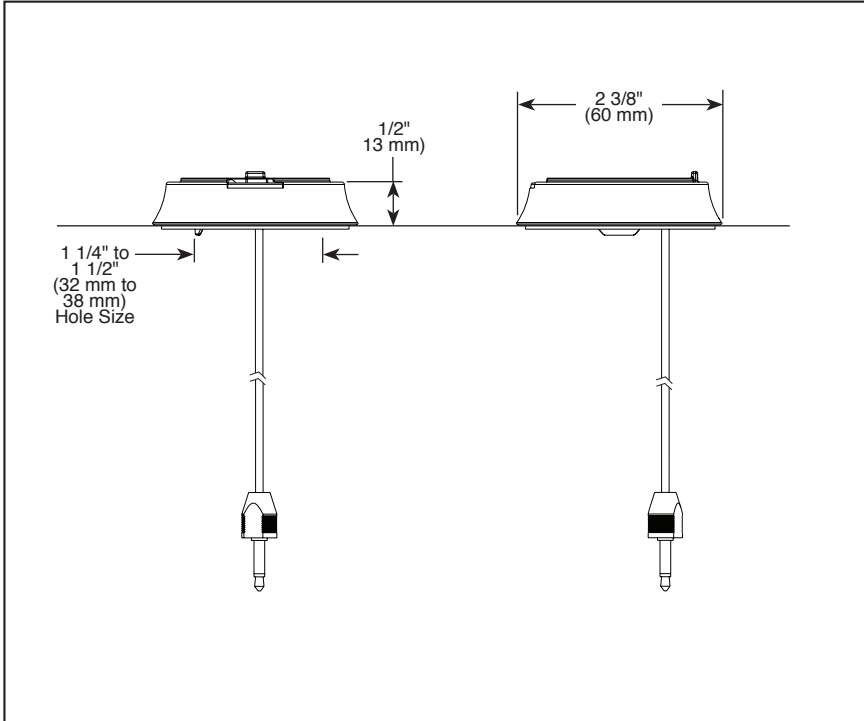


Submitted Model No.: \_\_\_\_\_

Specific Features: \_\_\_\_\_



see what Delta can do<sup>SM</sup>

## KITCHEN FAUCETS

### ■ Touch Conversion Kit

#### FEATURES:

- Touch<sub>2</sub>O<sup>®</sup> Technology

#### STANDARD SPECIFICATIONS:

- LED indicator light signals on-off, water temperature and when batteries run low
- Uses 6 AA (included) or 6 C (optional) batteries
- Optional 120V AC adapter available (3 prong grounded outlet required)

#### WARRANTY

- Parts and Finish - Lifetime limited warranty; or for commercial purchasers, 10 years for multi-family residential (apartments and condominiums) and 5 years for all other commercial uses, in each case from the date of purchase.
- Electronic Parts and Batteries (if applicable) - 5 years from the date of purchase; or for commercial purchasers, 1 year from the date of purchase. No warranty is provided on batteries.

#### COMPLIES WITH: