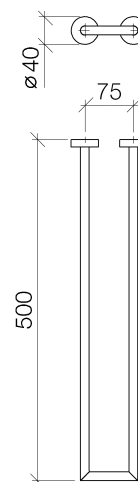




Product specifications

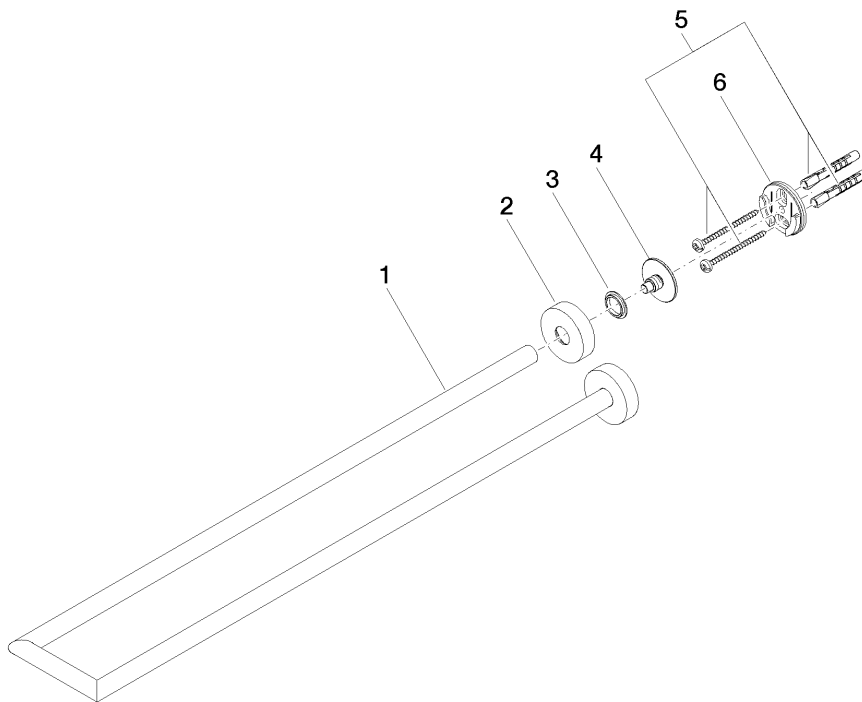
- gauge 72 mm
- width 112mm
- height 40 mm
- rosette Ø 40 mm
- 500 mm projection



Surfaces

- | | |
|-----------------|-------------|
| • chrome | 83210979-00 |
| • platinum matt | 83210979-06 |

Exploded assembly drawing



**Order quantity**

No.	Article number	Name	Installation quantity
1	05282262700ff	holder	1
2	082797500ff	rosette	2
3	08301151690	ring	2
4	08179756090	holder	2
5	0530310250090	fixing set	1
6	08179750107	holder	2