

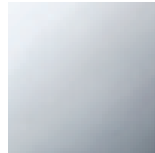


Sink - CL.1

Lavatory siphon 1 1/4" - polished chrome

Article number: 10 060 780-00

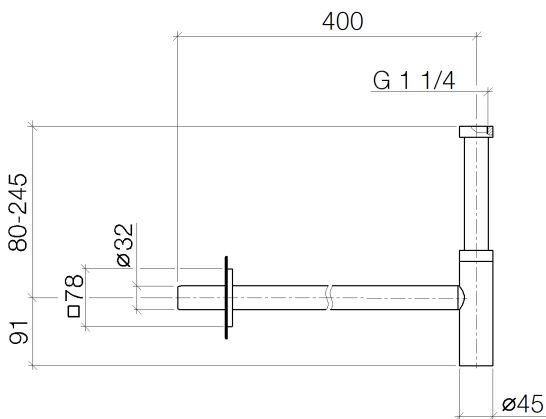
- Flange 3-1/8" x 3-1/8"



polished chrome



Dimensional drawing



All dimensions in mm / inch = mm x 0,0394



Sink - CL.1

Lavatory siphon 1 1/4" - polished chrome

Article number: 10 060 780-00



Sink - CL.1

Lavatory siphon 1 1/4" - polished chrome

Article number: 10 060 780-00

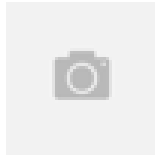
Other surface finishes



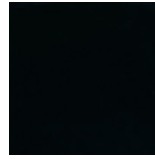
platinum matte
10 060 780-06



platinum
10 060 780-08



Brushed Durabrass
10 060 780-28



black matte
10 060 780-33



Dark Platinum matte
10 060 780-99

More custom finish options are available via special production (xTra Service). Please see our finish matrix for availability and pricing or contact a Dornbracht representative.

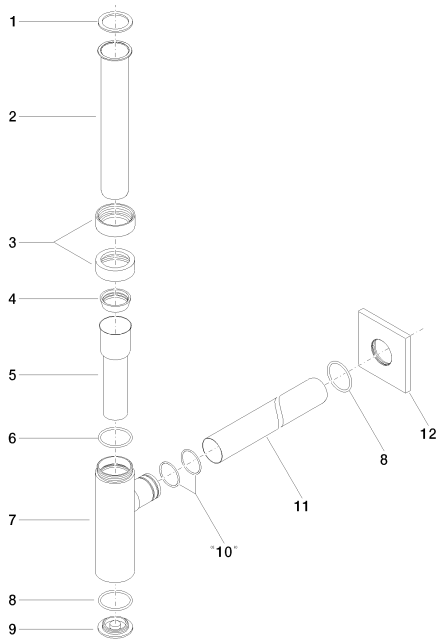


Sink - CL.1

Lavatory siphon 1 1/4" - polished chrome

Article number: 10 060 780-00

Spare parts list



Number	Item Number	Designation	Number of units
1	09 14 20 060 90	seal	1
2	09 28 23 007-00	pipe	1
3	09 23 30 022-00	nut	2
4	09 14 03 015 90	seal	1
5	09 28 23 019-00	pipe	1
6	09 14 10 149 90	seal	1
7	04 11 01 045 00-00	casing	1
8	09 14 10 148 90	seal	2
9	09 21 02 004-00	lid	1
10	09 14 10 112 90	seal	2
11	09 28 23 018-00	pipe	1
12	09 27 78 021-00	rosette	1