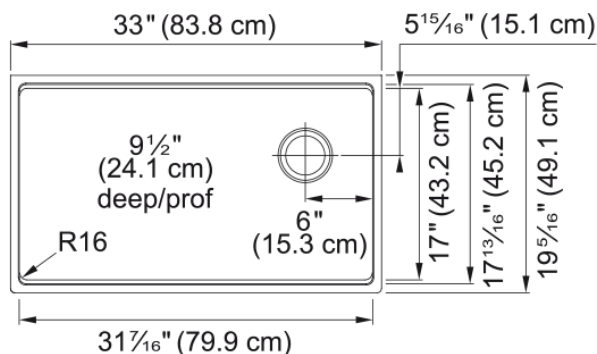


Maris Workcenter Sink MAG11031OW-CHA-WKC | 125.0672.244



Technical Data

Aspect

| | |
|------------------|-----------|
| Sink type | Sink |
| Type of material | Granite |
| Number of bowls | 1 |
| Color | Champagne |
| Finish | None |

Product Dimensions

| | |
|--------------------------------|--------|
| Exterior size: right to left | 33.004 |
| Exterior size: front to back | 19.335 |
| Large bowl size: right to left | 31.457 |
| Large bowl size: front to back | 17.035 |
| Large bowl: depth | 9.496 |

Installation

| | |
|----------------------|-----|
| Minimum cabinet size | 36" |
|----------------------|-----|

Product specifications

| | |
|---------------------|------------|
| Installation type | Undermount |
| Drain hole | 3 1/2" |
| Position of drainer | No drainer |

Product identification

| | |
|----------------|--------|
| Product brand | FRANKE |
| Product family | Maris |
| Collection | Maris |
| Certified by | CUPC |

Features

| | |
|----------------------------|------------|
| Drainers number | No drainer |
| Product reversibility | No |
| Faucet ledge | No |
| Strainer assembly included | Yes |

Features

| | |
|------------------------|----------------|
| Strainer assembly type | Manual |
| Overflow | No |
| Number of faucet holes | No faucet hole |
| Soap dispenser hole | No |