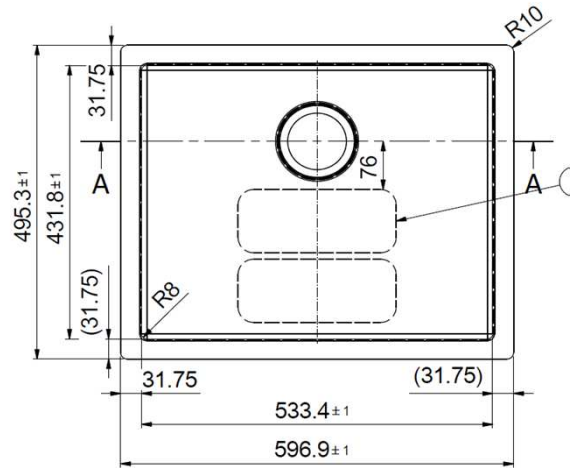


Spec Sheet

Stainless Steel

PS2X110-21



Technical Features / Nominal Dimensions

| | | | |
|------------------------|------------------|-------------------|-----------------|
| Overall Sink Size (OD) | 23.5 x 19.5 | Bowl Size (ID) | 21 x 17 |
| Bowl Depth (ID) | 10" | Cut Out Size | 22 x 18 |
| Sound pads | Yes | Sound Coating | Yes |
| Minimum Cabinet | 27 | Drain Measurement | 3 1/2" |
| Installation Type | UNDERMOUNT | Code Approvals | UPC & cUPC |
| Packed Weight | | Box Dimensions | |
| Clips | EL CLIPS | Template | Yes |
| Warranty | Limited Lifetime | Material | 16 GAUGE T304SS |

Accessories Included

RND-CVR (Round Drain Cover)

Available Accessories

| | |
|---------------|------------|
| Grid | PS2-21-36s |
| Colander | PS2-70S |
| Cutting Board | PS2-40S |
| Roll Matt | RM18S |

FRANKE Kitchen Systems

(800) 626-5771
www.frankeksd.com