

4

3

2

1

D

D

C

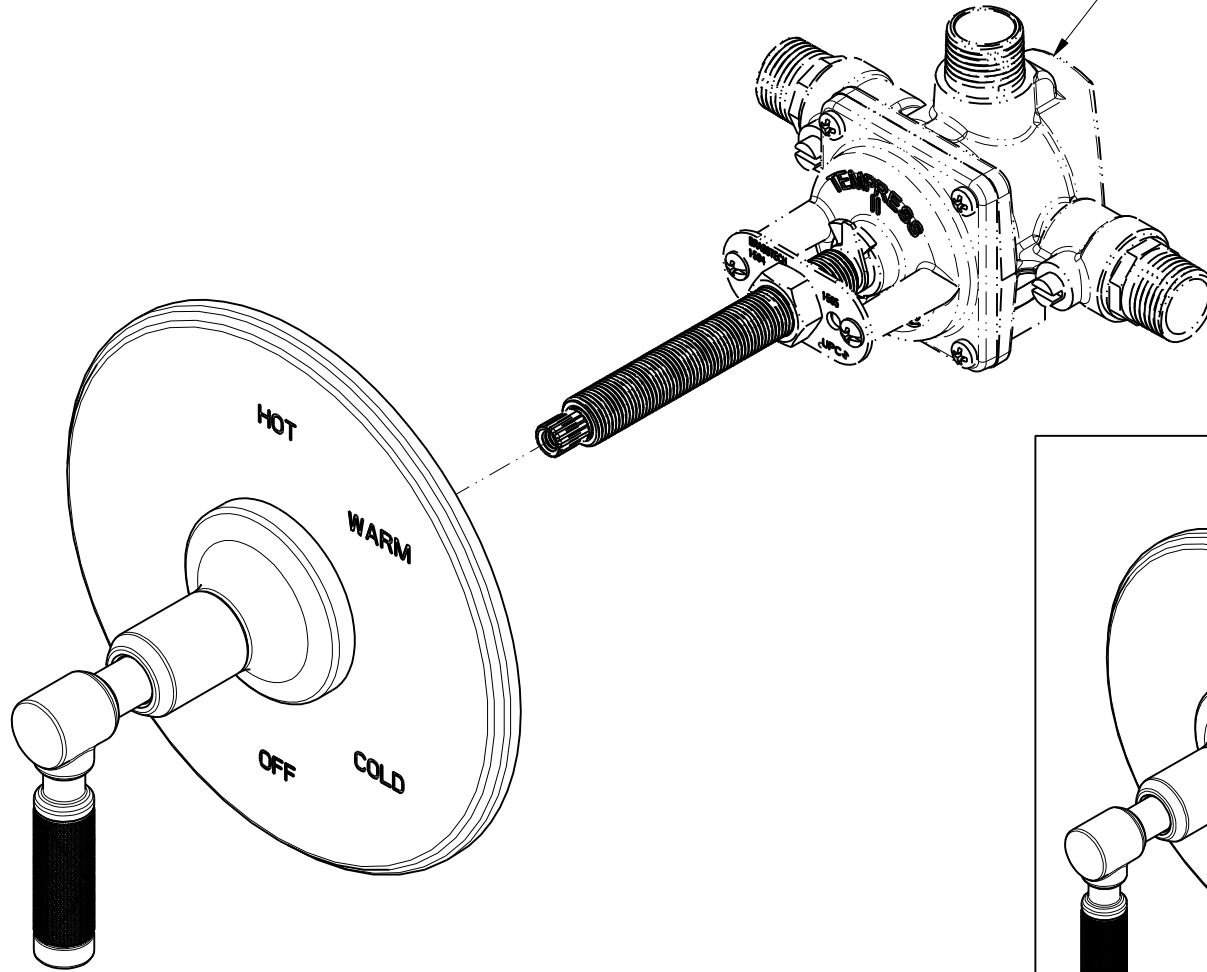
C

B

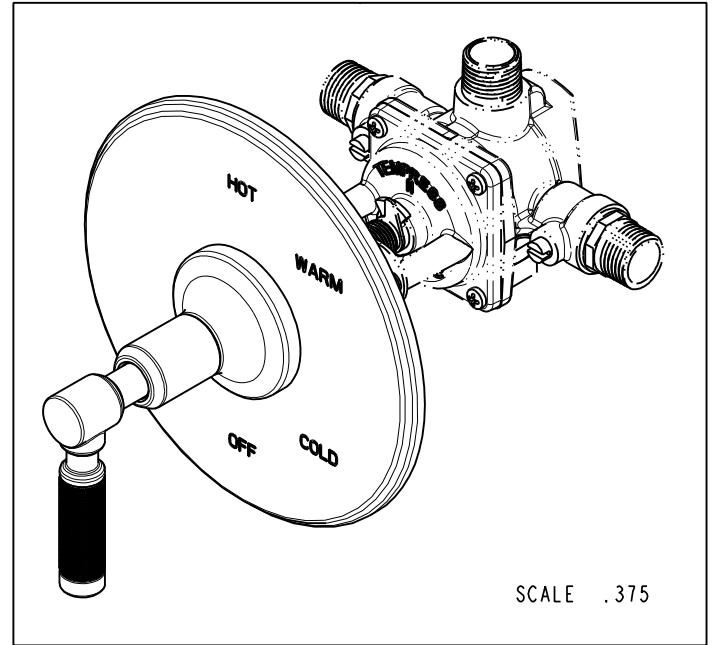
B

A

A



PN: 1-594
SOLD SEPARATELY



SCALE .375

BRASSTECH		2001 E. CARNEGIE AVE. SANTA ANA, CA 92705 (949) 417-5207	
INCORPORATED			
DWG NO.	4-3254BP		REV
			-
SCALE	.500	REF.	-
		SHEET	2 OF 3


4

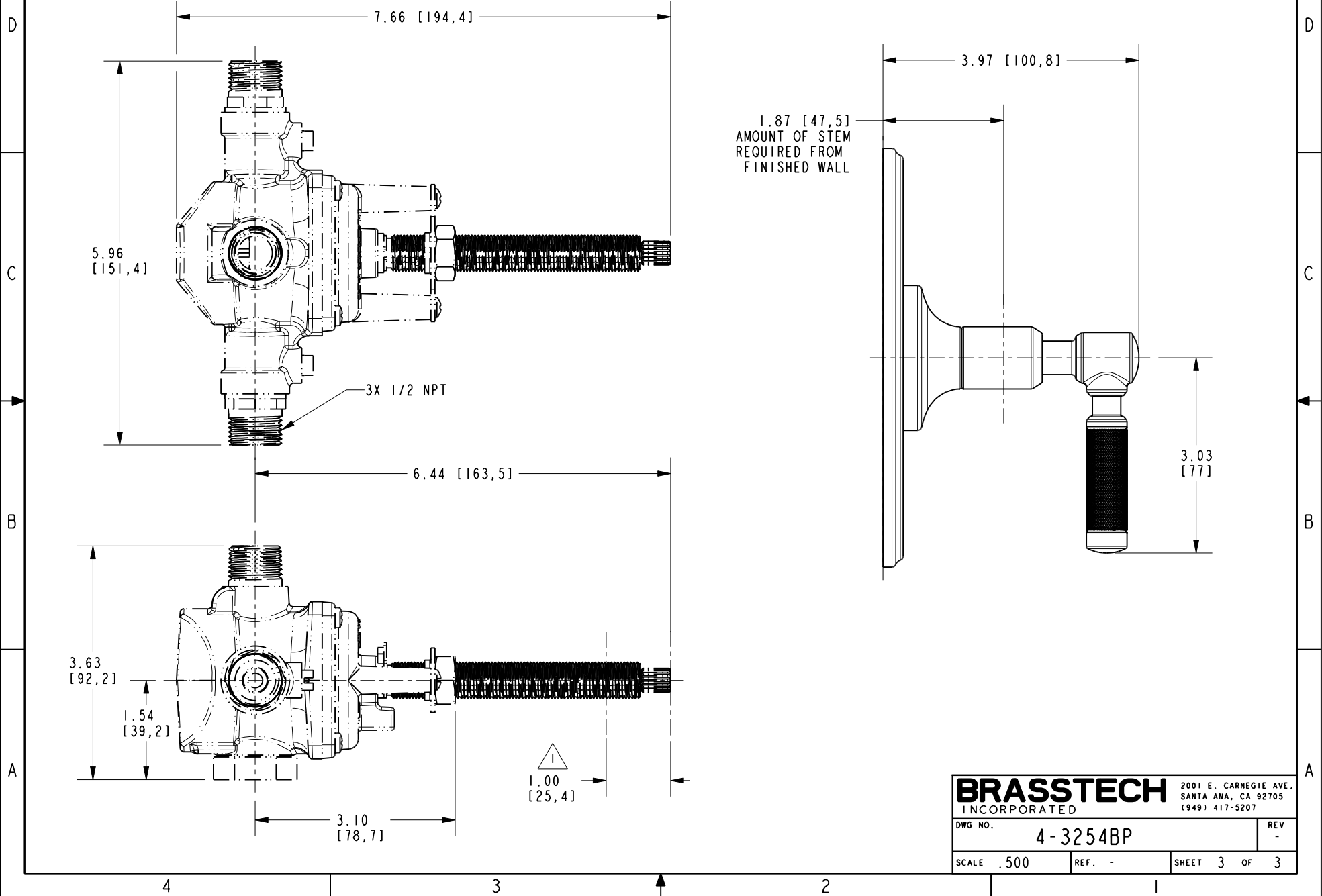
3

2

1

NOTE:

 CUT ALL THREAD 1.00" SHORTER THAN STEM.



BRASSTECH		2001 E. CARNEGIE AVE. SANTA ANA, CA 92705 (949) 417-5207
DWG NO.	4-3254BP	REV -
SCALE	.500	REF. -
SHEET 3		OF 3