

EAST SQUARE

Features

- Solid brass construction
- Quarter-turn washerless ceramic disc valve cartridges
- 9.25 gallons (35 liters) per minute spout maximum flow rate
- 3/4" NPT hot and cold inlet fittings
- 9.00" (22.8 cm) tub spout reach from inlet fittings (c-c)
- 36.28" (92.1 cm) tub spout height at outlet
- Contemporary handshower design of brass construction
- ADA Compliant (Handles Only)
- 1.8 GPM (6.8 LPM) Max, Handshower Only

Codes / Standards Compliance

Meets or exceeds the following at date of manufacture:

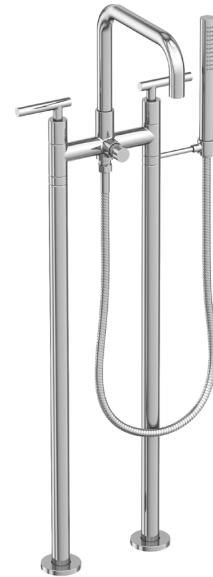
- ASME A112.18.1/CSA B125.1
- IAMPO/cUPC
- IPC
- ADA & ICC/ANSI A117.1 (Handle Only)
- Energy Policy Act of 1992
- California Energy Commission
- ASME A112.18.3 (Back Flow)
- All applicable US Federal and State material regulations
- Other: This product is NOT watersense certified

Colors / Finishes

- 10B: Oil Rubbed Bronze
- 15: Polished Nickel
- 15S: Satin Nickel - PVD
- 26: Polished Chrome
- Other: Refer to the Newport Brass catalog for additional color/finish options.

Bridge Tub and Handshower Kit

1400-4263



Specified Model

Model	Description	Colors Finishes			
1400-4263	Freestanding Bridge Exposed Tub and Handshower Set	<input type="checkbox"/> 15	<input type="checkbox"/> 15S	<input type="checkbox"/> 26	<input type="checkbox"/> Other

Optional Accessory:

Model	<input type="checkbox"/> 1-469
Description	Freestanding Tub Fill Rough Kit (Floor Mount)
Image	

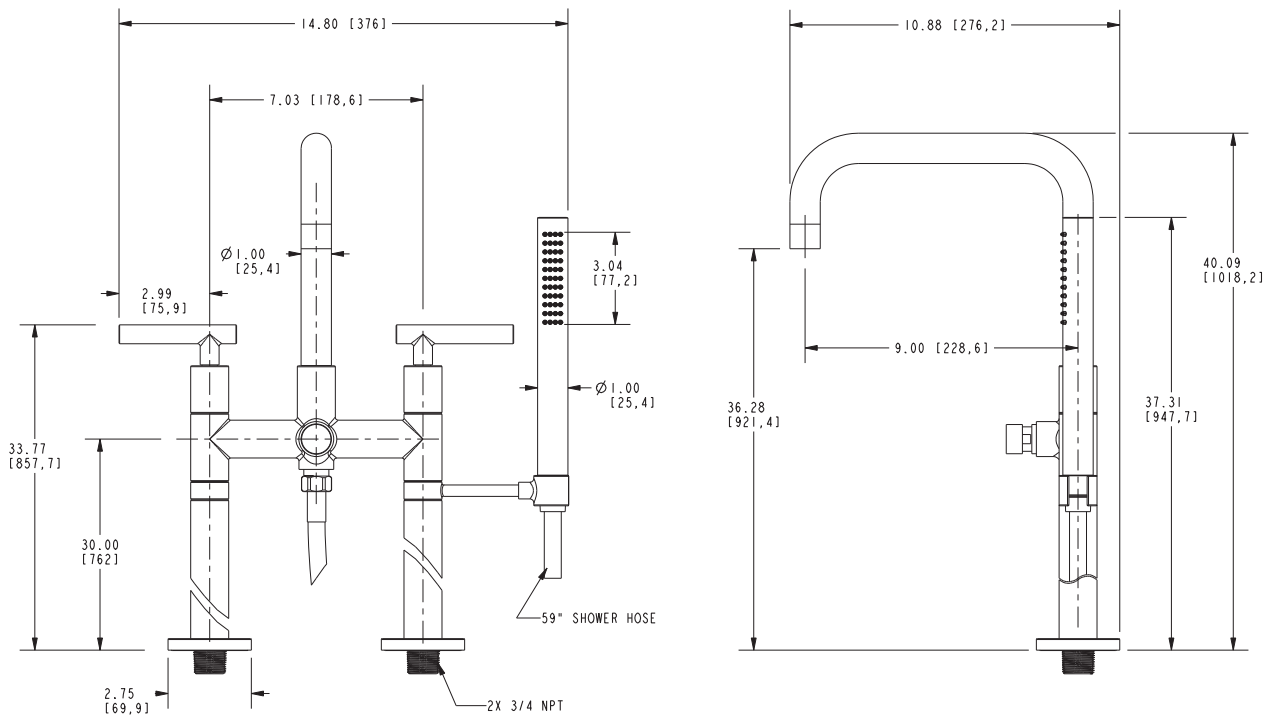
Product Specification Add "Color / Finish" suffix to Model number, below.

The Freestanding Exposed Tub and Handshower Set shall be made of brass construction. Freestanding Exposed Tub and Handshower Set shall incorporate quarter-turn washerless ceramic disc valve cartridges with ADA compliant contemporary lever handle and pull-out diverter. Product shall be designed for floor-mounted configurations. Product shall have a 36.28" (92.1 cm) tub spout height at outlet and 9.00" (22.8 cm) tub spout reach (center-center). Product shall feature a brass handshower having a contemporary design and a 1.8 gallons (6.7 liters) per minute maximum flow rate. Freestanding Exposed Tub and Handshower Set shall be Newport Brass Model 1400-4263/_____. [Optional Freestanding Tub Fill Rough Kit (Floor Mount) (3/4" NPT) shall be 1-469.]

1400-4263

PRODUCT DIMENSIONS *(Units are in inches)*

Product Dimensions are provided for reference only. For specific product installation guidelines, please reference the Installation Instructions of the product being installed.



East Square Freestanding Bridge Exposed Tub & Handshower Set 1400-4263

NEWPORT BRASS
Flawless Beauty. From Faucet to Finish.™