

Features

- Aluminum and glass construction
- Side kits are replaceable and sold separately or in pairs for convenience
- Includes parts and installation hardware for one side
- Side Kits are universal and can be installed on the right or left side

Dimensions

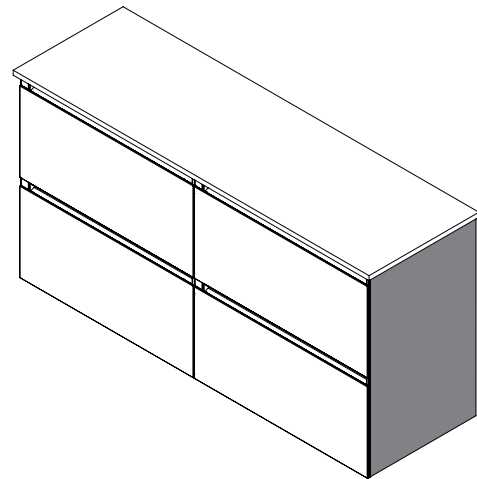
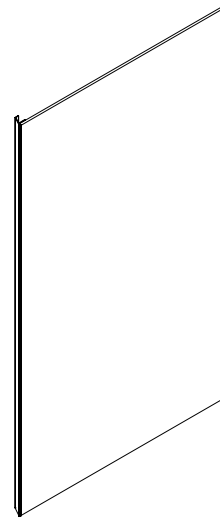
Height: 30" (762 mm)
Width: 7/8" (22 mm)
Depth: 18-9/16" (471 mm)

Options

- Glass finish options: Mirror, patterned glass, and back painted glass - gloss or matte
- Other heights available - H1 - 7-1/2" (191 mm) / H2 - 15" (381 mm) / H3 - 22-1/2" (572 mm)
- D18 depth available
- D21 depth available

Compatibility

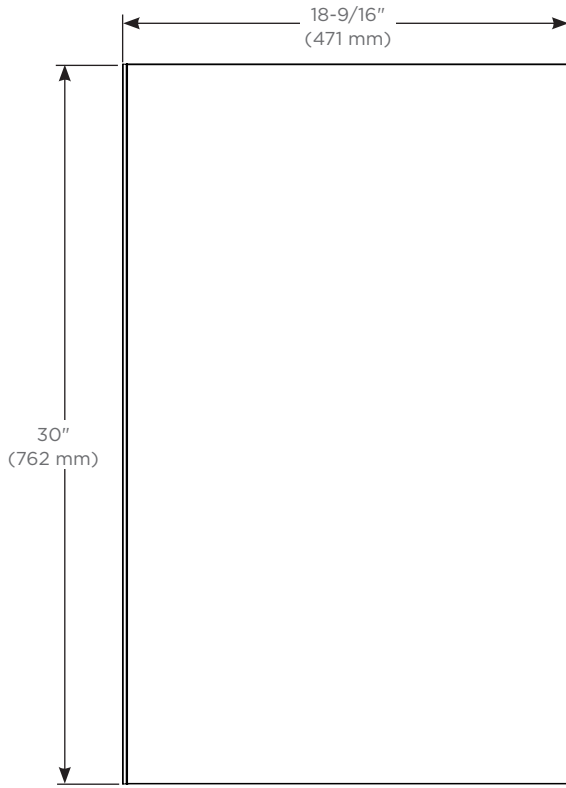
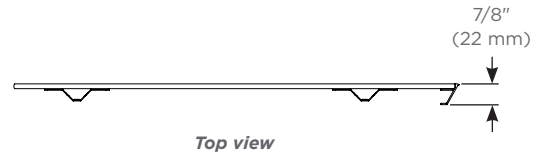
- Pairs with all D18 (18-3/4") vanities that total 30" in height
- Designed to finish a single vanity or a multiple vanity assembly that totals 30" in height
- Do not stack Side kits
- See instructions 209-1248



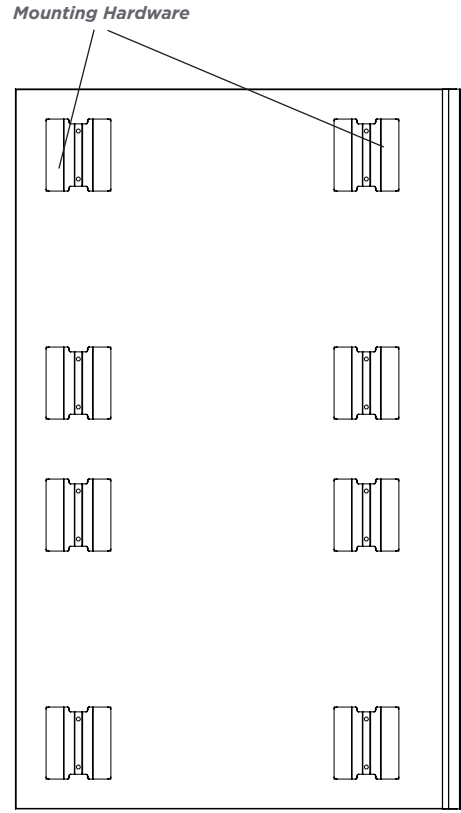
Model Number Key

Vanity	Cartesian	Number of Side Kits	Height	Depth	Glass Finish
V	M	1SK = Single	H4 = 30"	D18 = 18-9/16"	10 = Mirror 11 = Tinted Gray Mirror 12 = Satin Bronze 19 = Satin White 20 = Black 21 = White 22 = Beach 23 = Ocean 24 = Smoke Screen 25 = Silver Screen 26 = Matte White 27 = Matte Gray 28 = Matte Black

Dimensions



Front view



Back view