

COTTAGE
RETREAT



Solid wood dovetail drawers with full extension soft-close glides.



Dramatic molding details on matching mirrors.



Inset side panels and turned feet.



Adjustable levelers for easy installation.



Inset doors with grooved field panel.



Lightly distressed finish with "worm-hole" details and matching wood pulls.



30 in. Width



60 in. Width



36 in. Width



48 in. Width



The Cottage Retreat collection from Sagehill Designs features casual coastal styling and a relaxed attitude. The cabinets feature furniture inspired details like inset doors and drawers, turned feet, and grooved door and side panels. The durable coastal white painted finish features light distressing and "worm-holes" to give the collection character.

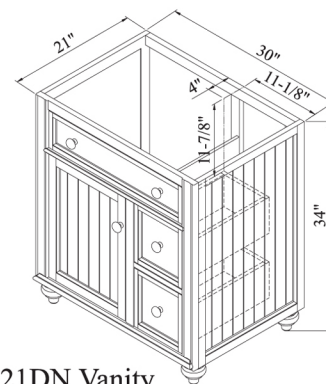
Finally, we have updated this collection with increased storage, added soft-close full extension drawer glides, and added soft-close mechanisms to the doors as well.

Cottage Retreat

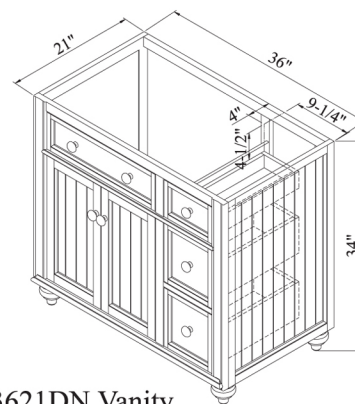
Casual Living Group

Features Include:

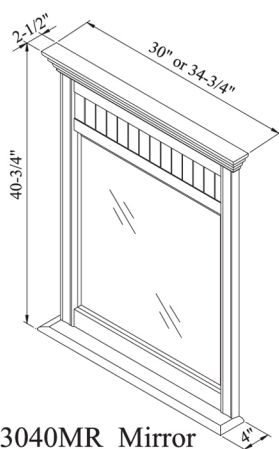
- * Decorative grooved panel styling
- * Multiple cabinet widths for versatility
- * Turned feet with adjustable levelers
- * Hand rubbed, multi-step distressed finish with "worm-holes" for vintage character
- * Ample storage inside decorative drawers and doors
- * Soft-close door mechanisms
- * Solid wood drawer construction with full extension soft-close drawer glides



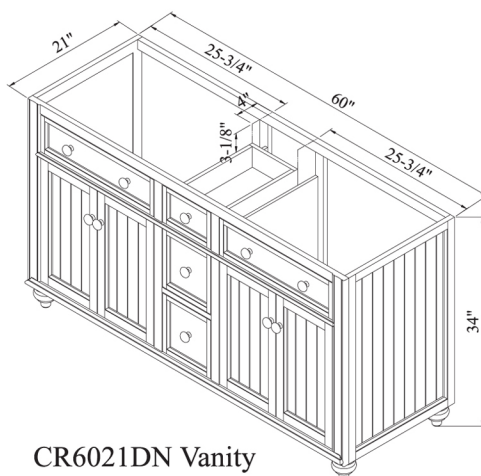
CR3021DN Vanity
2 x Drawer



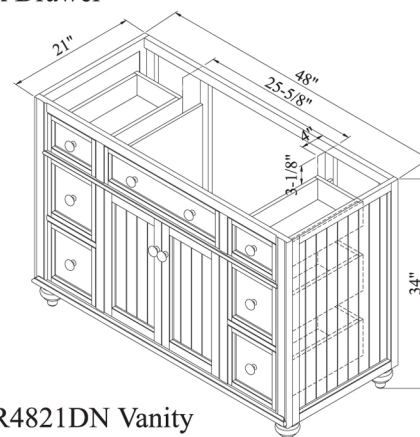
CR3621DN Vanity
3 x Drawer



CR3040MR Mirror
CR3540MR Mirror



CR6021DN Vanity
3 x Drawer



CR4821DN Vanity
6 x Drawer

The Cottage Retreat collection has been improved to provide more storage and more of the cabinet features important for today's consumer. New additions feature full-extension soft-close drawer mechanisms and soft-close functionality on the doors as well.

What has stayed the same is just as important as the new features. Cottage Retreat still features the casual coastal styling that has made it a long-time favorite. The lightly distressed finish will still feature hand-detailing and "worm-hole" finish details. The beautiful painted finish is expertly applied by the Sagehill Designs craftsmen and will provide years of durable beauty.

Thank you for choosing Sagehill Designs for your environment.

Sagehill Designs

by
Sunny Wood

Member
NKBA

DPHA
Decorative Plumbing
& Hardware Association

Note: Product images and finish representations are for reference only. Contact your dealer to view actual finish samples. As our policy is to continually improve design, we reserve the right to modify details or change specifications without prior notice. Sagehill Designs vanities are designed specifically to match Sagehill Designs stone tops. We cannot guarantee that our vanities will fit custom or non-Sagehill Designs vanity tops.

Copyright 2019: Sagehill Designs. All rights reserved.