

Winfield[®]

Lavatory
K56-1916



Features

- Rectangular basin
- With overflow
- 1 faucet hole
- High gloss ceramic finish

Material

Vitreous china

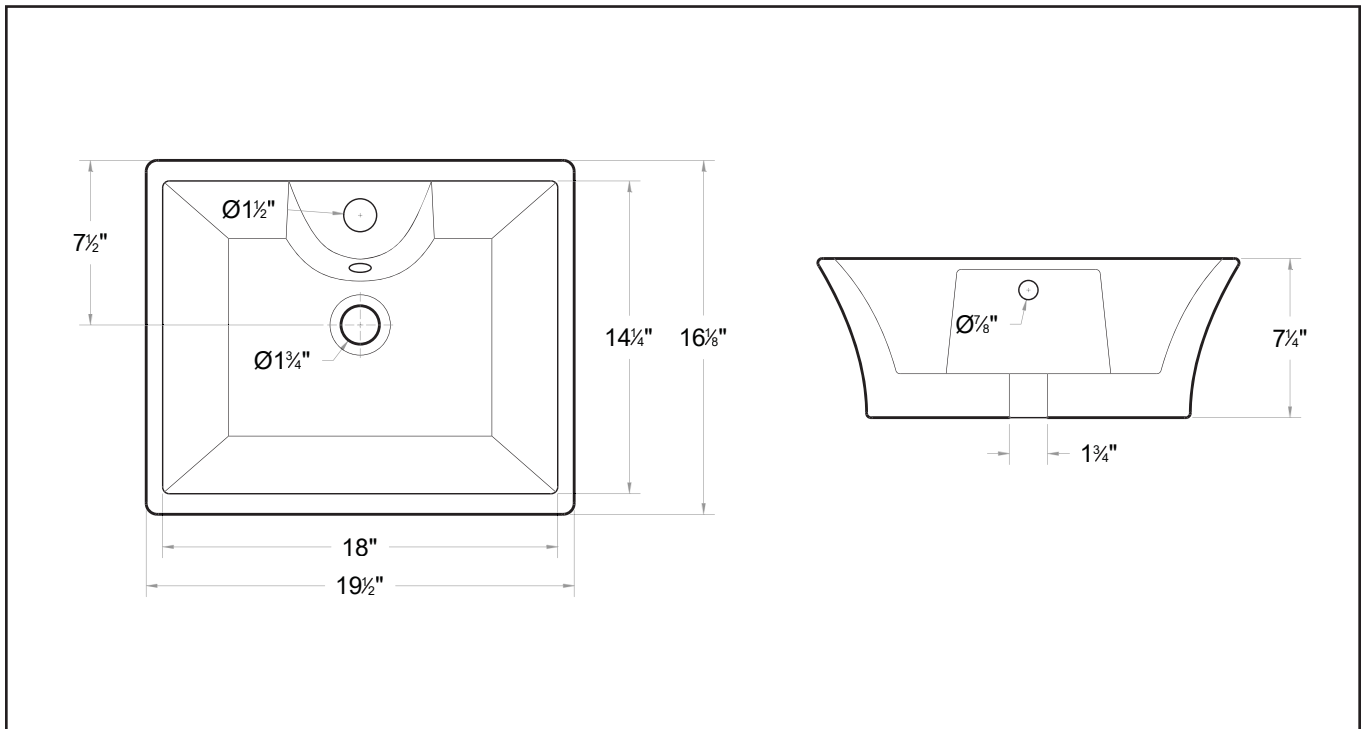
Measurements

L 19-1/2", **W** 16-1/8", **H** 7-1/4"

Installation

Vessel

Lavatory
K56-1916



Note

- Spec sheets contain rough-in measurements which may vary by 1/4" (±) and are subject to standard industry tolerances. They are stated in inches and are non-binding. Exact measurements, for particular or customized installation schemes, should only be taken from the finished product.
- Specs may change without prior notice, please check with your sales rep for most up to date spec sheet.