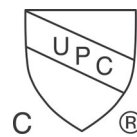


Winfield®
Simple Elegance

One-Piece Toilet

T32184

MFR# OVS-2184



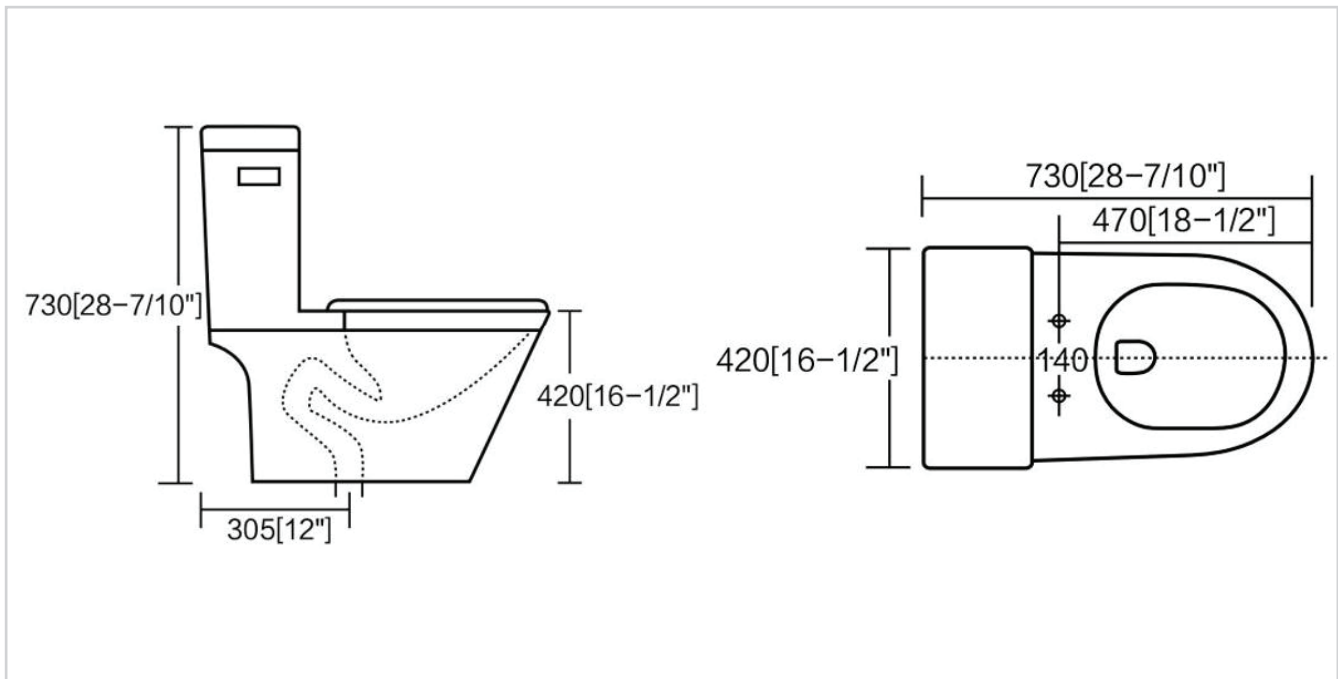
One-Piece Toilet T32184

Features

- 1.28 GPF High Efficiency Toilet
- ADA Elongated
- 12" Rough-In
- 3" Flush Valve, Floor Mounted
- IAPMO/cUPC Approved
- EPA WaterSense Certified
- MFR# OVS-2184



* Slow Close Seat, Wax Ring, Flange Bolts & Bolt Caps Included



- Spec sheets contain rough-in measurements which may vary by 1/4" (±) and are subject to standard industry tolerances.
- Specs may change without prior notice, please check with your sales rep for most up to date spec sheet.

To Be Specified:

- Color:
- Seat:
- Supply with Stop:

This space for Architecture/Engineer approval