



Two-Piece Toilet

T3511

TB3511 Bowl + TK3512 Tank



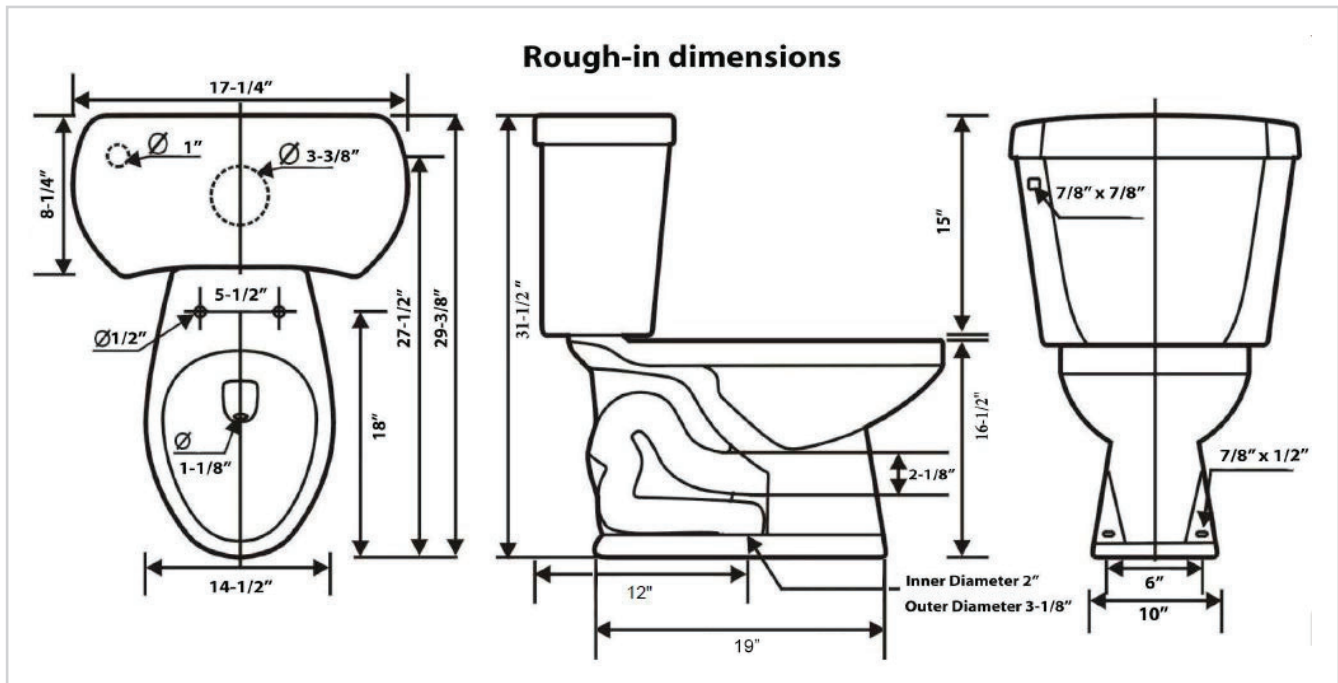
Two-Piece Toilet T3511

Features

- 1.28 GPF High Efficiency Toilet
- ADA Elongated
- 12" Rough-In, 2-1/8" Trapway
- 3" Flush Valve, Floor Mounted
- Water Surface Dimension 8.07"x6.1"
- Right Hand Trip Lever Available
- Exceeds ASME (A112.19.2/CSA B45.1)
- MaP Flush Score >= 1,000 grams
- IAPMO/UPC Approved
- EPA WaterSense Certified
- TB3511 Bowl + TK3512 Tank



* Toilet Seat and Wax Ring Not Included



- Spec sheets contain rough-in measurements which may vary by 1/4" (±) and are subject to standard industry tolerances.
- Specs may change without prior notice, please check with your sales rep for most up to date spec sheet.

To Be Specified:

- Color:
- Seat:
- Supply with Stop:

This space for Architecture/Engineer approval